



Logic HE™ Range *Conventional Flue* Instructions for Use, Installation and Servicing

For use in GB, IE (Great Britain and Eire)

IMPORTANT

This product contains a Heat resistant glass panel. This panel should be checked during Installation and at each servicing interval. If any damage is observed on the front face of the glass panel (scratches, scores, cracks or other surface defects), the glass panel must be replaced and the appliance must not be used until a replacement is installed. Under no circumstances should the appliance be used if any damage is observed, the glass panel is removed or broken.

Parts of this appliance will become hot during operation; it is therefore recommended that a suitable guard should be used for protection of young children, the elderly or infirm.

This appliance is guaranteed for 2 years (subject to the conditions on page 3 of this Instruction manual). The second year of the guarantee will only be valid if the annual service recommended in this Instruction manual has been completed by a GasSafe registered engineer, and a copy of the service report is available for inspection by a Gazco engineer.

These Instructions must be left with the appliance for future reference and for consultation when servicing the appliance. Please make the customer aware of the correct operation of the appliance before leaving these instructions with them.

The commissioning sheet found on Page 3 of this Instruction manual must be completed by the Installer prior to leaving the premises.

Covering the following models:

| | | |
|-----------------------------|---------|---------|
| Logic HE Coal Effect | 101-151 | 101-497 |
| Logic HE White Stone Effect | 101-324 | 101-651 |

CONTENTS

| | PAGE |
|--|-----------|
| APPLIANCE COMMISSIONING CHECKLIST | 3 |
| USER INSTRUCTIONS | 4 |
| INSTALLATION INSTRUCTIONS | 10 |
| Technical Specification for White Stone Effect | 10 |
| Technical Specification for Coal Effect | 11 |
| Site Requirements | 14 |
| Installation | 16 |
| Commissioning | 21 |
| SERVICING INSTRUCTIONS | 22 |
| Servicing Requirements | 22 |
| Fault Finding | 24 |
| Replacing Parts | 26 |
| Spare Parts List | 29 |
| Service Records | 30 |

APPLIANCE COMMISSIONING CHECKLIST

IMPORTANT NOTICE

Explain the operation of the fire to the end user, hand the completed instructions to them for safe keeping, as the information will be required when making any guaranteed claims.

| FLUE CHECK | PASS | FAIL |
|--|-------------------|------|
| 1. Flue is correct for fire | | |
| 2. Flue flow test | | |
| 3. Spillage test | | |
| GAS CHECK | | |
| 1. Gas soundness & let by test | | |
| 2. Standing pressure test | mb | |
| 3. Fire working pressure (on High Setting) NB All other gas fires must be operating on full | mb | |
| 4. Gas rate | m ³ /h | |
| 5. Does ventilation meet fire requirements | | |

DEALER AND INSTALLER INFORMATION

Dealer

.....

.....

Contact No.

Date of Purchase.....

Model No.....

Serial No.....

Gas Type.....

Installation Company

.....

.....

Engineer

Contact No.....

Gas Safe Reg No.

Date of Installation

This product is guaranteed for 2 years from the date of installation, as set out in the terms and conditions of sale between Gazco and your local Gazco dealer. **This guarantee will be invalid, to the extent permitted by law, if the above Fire Commissioning Checklist is not fully completed by the installer and available for inspection by a Gazco engineer.** The guarantee will only be valid during the second year, to the extent permitted by law, if the annual service recommended in the Instructions for Use has been completed by a Gas Safe registered engineer, and a copy of the service visit report is available for inspection by a Gazco engineer.

USER INSTRUCTIONS

1. GENERAL

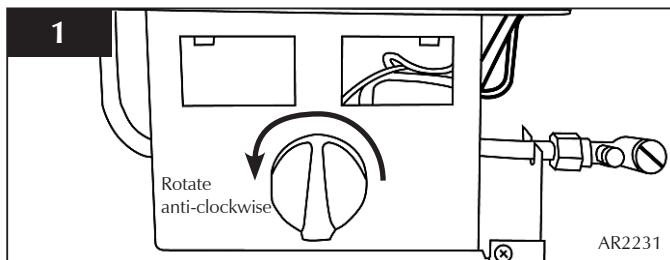
- 1.1 Installation and servicing must only be carried out by a competent person whose name appears on the Gas Safe register. To ensure the engineer is registered with Gas Safe they should possess an ID Card carrying the following logo:



- 1.2 In all correspondence, please quote the fire type and serial number, which can be found on the data badge adjacent to the control knob.
- 1.3 Ensure that curtains are not positioned above the fire, and that there is a 300mm minimum clearance between the sides of the fire and any curtains.
- 1.4 This product is guaranteed for 2 years from the date of installation, as set out in the terms and conditions of sale between Gazco and your local Gazco dealer. Please consult with your local Gazco dealer if you have any questions. In all correspondence always quote the Model Number and Serial Number.
- 1.5 The decorative front and glass become hot during normal use and should be treated as a 'working surface'. It is therefore recommended that a suitable fire guard be used for protection of young children and the infirm.
- 1.6 If any cracks appear in the glass panel do not use the fire until the panel has been replaced.

2. LIGHTING THE FIRE

- 2.1 Locate the control valve on the fire.
- Push the valve knob in and rotate anti-clockwise until two clicks are heard, hold in for a further 10 seconds. When released the pilot should remain lit.



If the pilot does not remain lit, repeat until the operation is successful.

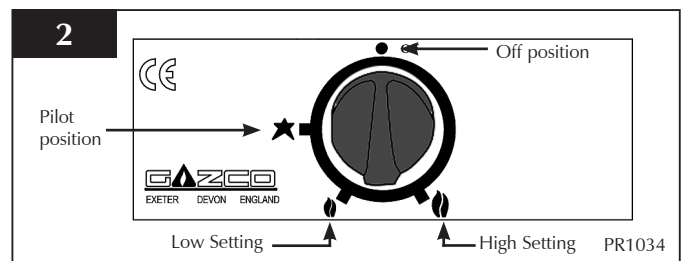
2.2 Adjusting the settings

From the pilot position:

- Push the valve knob in slightly and rotate anti-clockwise until the first stop point is felt. This denotes the lowest setting.

- Push the valve knob in slightly and rotate further in an anti-clockwise direction.

The final stop point is the highest setting.

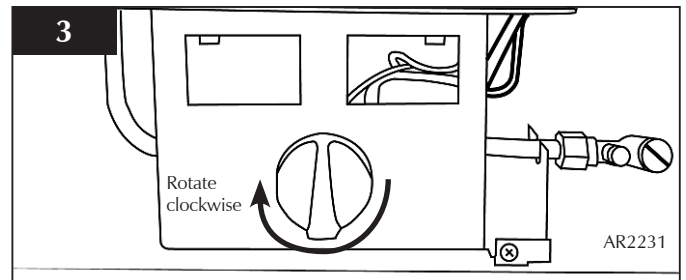


3. TURNING THE FIRE OFF

- 3.1 To turn the fire off:

- Turn the control knob clockwise until it is returned to the off position, Diagram 3.

The knob should be upright.



4. CLEANING THE FIRE

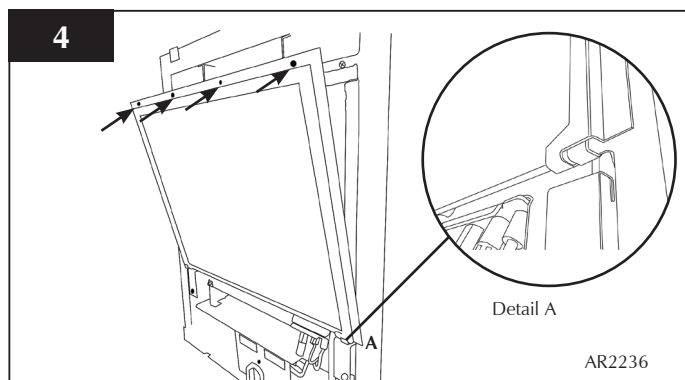
ENSURE THE FIRE IS COLD BEFORE PROCEEDING

- 4.1 Refer to the separate *Frame Instructions* to remove the frame from the fire.

5. CLEANING THE LOGIC HE

- 5.1 Remove the glass window by unscrewing the 4 screws in the retaining bracket, Diagram 4.

USER INSTRUCTIONS



- Lift the glass off the lower location tabs (Detail A) and carefully place to one side

5.2 To clean the glass surface, Gazco recommends you use a ceramic glass product generally sold for cleaning ceramic hobs.

White Stone Effect

- Remove the white stones and place on a dry clean surface. Do not remove the enamel back panel
- Use a damp cloth and mild non-abrasive cleaner on the enamel back panel
- Clean the burner and tray assembly using a vacuum cleaner with a soft brush attachment
- Ensure all debris is removed from the burner ports
- Replace the white stones by referring to Section 6A

Coal Effect

- Remove the ceramic coals and fuel bed and place on a dry clean surface
- Clean the burner and tray assembly using a vacuum cleaner with a soft brush attachment
- Ensure all debris is removed from the ports
- Replace the ceramics by referring to section 6B

ADVICE ON HANDLING AND DISPOSAL OF FIRE CERAMICS

The fuel effect and side panels in this appliance are made from Refractory Ceramic Fibre (RCF), a material which is commonly used for this application.

Protective clothing is not required when handling these articles, but we recommend you follow normal hygiene rules of not smoking, eating or drinking in the work area and always wash your hands before eating or drinking.

To ensure that the release of RCF fibres are kept to a minimum, during installation and servicing a HEPA filtered vacuum is recommended to remove any dust accumulated in and around the appliance before and after working on it. When servicing the appliance it is recommended that the replaced items are not broken up, but are sealed within heavy duty polythene bags and labelled as RCF waste.

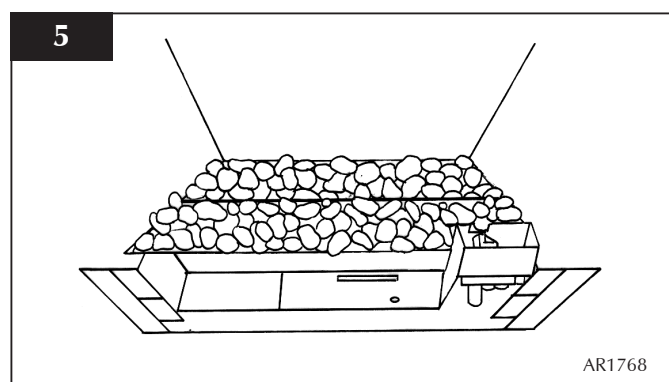
RCF waste is classed as stable, nonreactive hazardous waste and may be disposed of at a licensed landfill site.

Excessive exposure to these materials may cause temporary irritation to eyes, skin and respiratory tract; wash hands thoroughly after handling the material.

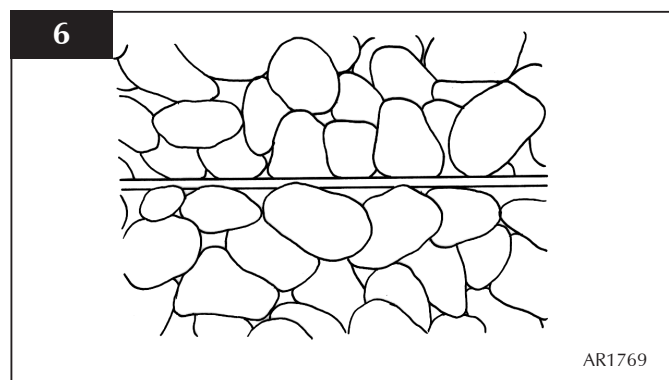
6A. ARRANGEMENT OF THE FUEL BED COMPONENTS - WHITE STONE EFFECT

ONLY USE THE CORRECT TYPE AND QUANTITY OF WHITE STONES. ALWAYS FOLLOW THE FUEL BED LAYOUT AS STATED IN THESE INSTRUCTIONS. NEVER CHANGE THE LAYOUT FROM THAT SHOWN HERE.

6.1 Arrange the white stones in the areas highlighted in Diagram 5. They should be evenly distributed.



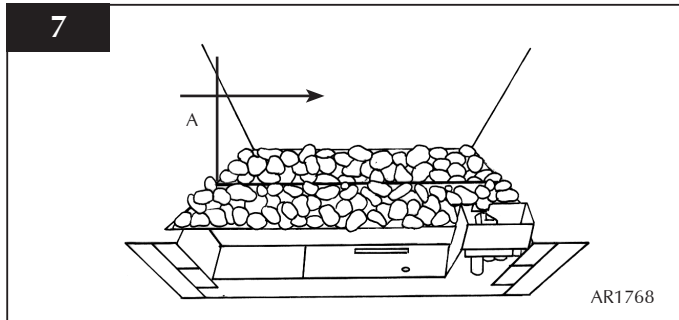
6.2 Lean the white stones against the burner ledges to disguise the ledges, Diagram 6.



USER INSTRUCTIONS

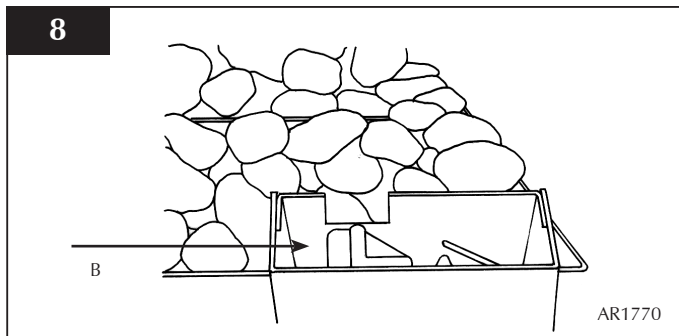
- 6.3 Check that the port area. Arrow A, Diagram 7 is clear of white stones. This can be easily done by gently running a screwdriver or similar object along this area.

NOTE: IT IS IMPORTANT THE WHITE STONES DO NOT COVER THE PORT AREA IN BETWEEN THE BURNER LEDGES.



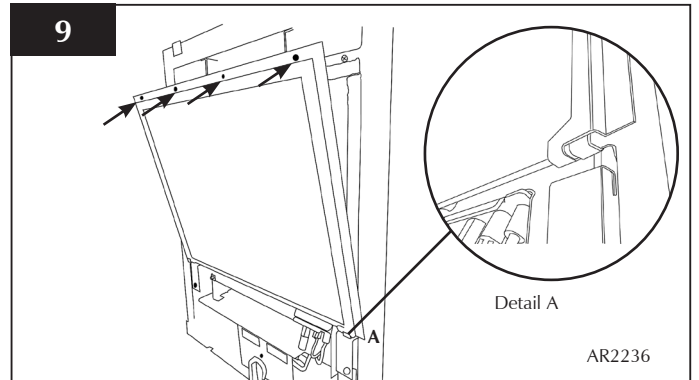
- 6.4 Ensure that no stones overhang or fill the pilot area, Arrow B, Diagram 8.

NOTE: STONES SHOULD NOT BE PLACED DIRECTLY IN FRONT OF THE PILOT CROSS LIGHTING FLAME.



FITTING THE GLASS WINDOW

- 6.5 Ensure that the fibre glass window seal on the box is intact.
- Lower the glass window into the lower location tabs on the box, the tabs locate between the glass and metal work on the frame, Diagram 9 Detail A
 - Secure the window using four screws in the retaining bracket, Diagram 9



NEVER OPERATE THE FIRE WHEN THE GLASS PANEL IS REMOVED OR BROKEN.

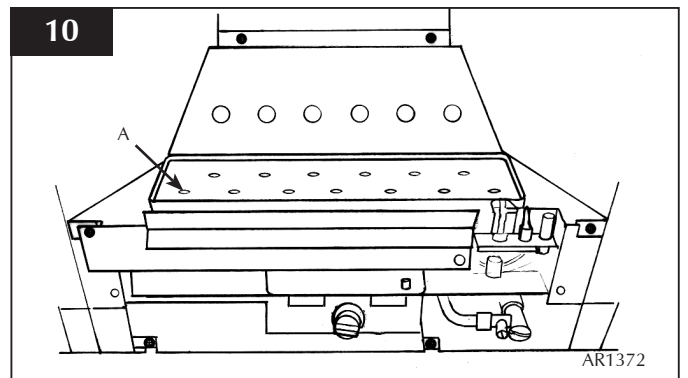
- Refer to the separate *Frame Instructions* to replace the frame on the fire

6B. ARRANGEMENT OF THE FUEL BED COMPONENTS - COAL EFFECT

NOTE: CERAMIC PARTS ARE FRAGILE. THE SIDE AND REAR PANELS ARE REVERSIBLE. ONE SIDE IS PLAIN, THE OTHER SIDE IS REEDED.

ONLY USE THE CORRECT TYPE AND QUANTITY OF CERAMIC COMPONENTS. ALWAYS FOLLOW THE FUEL BED LAYOUT AS STATED IN THESE INSTRUCTIONS. NEVER CHANGE THE LAYOUT FROM THAT SHOWN HERE.

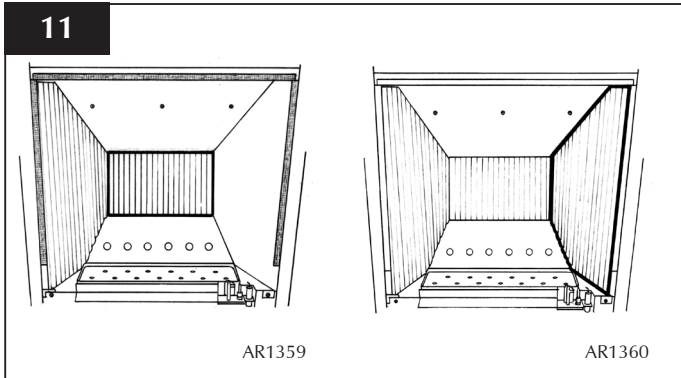
- 6.6
- Position the burner cover gasket on the burner skin ensuring the holes align with the ports
 - Take care as the front left-hand hole is offset compared to the others, Diagram 10, arrow A



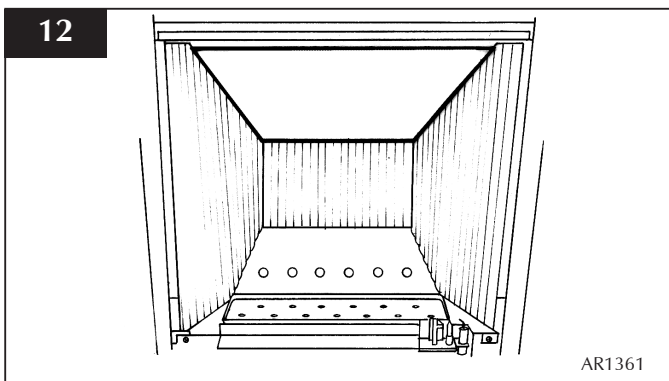
- 6.7
- Place the rear panel against the rear of the box resting on the shelf
 - Slide one of the side panels into the box ensuring it touches the rear panel
 - Gently ease the front edge of the side panel behind the flange so it lies flat against the wall of the box

USER INSTRUCTIONS

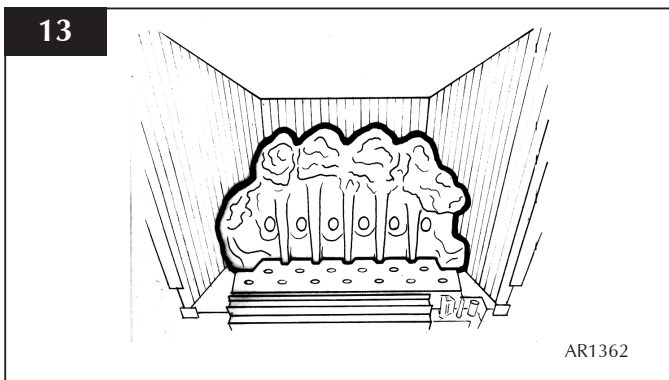
- Repeat with the second side panel, Diagram 11



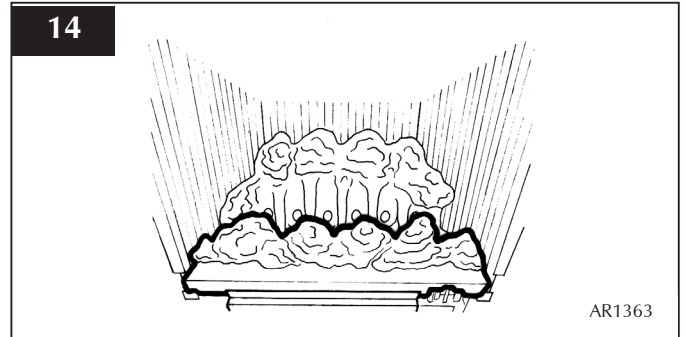
- 6.8 Locate the top panel on top of the sides and rear by lifting it up and forward inside the box
- Slide it backwards and down behind the side panels to rest on the rear panel, Diagram 12



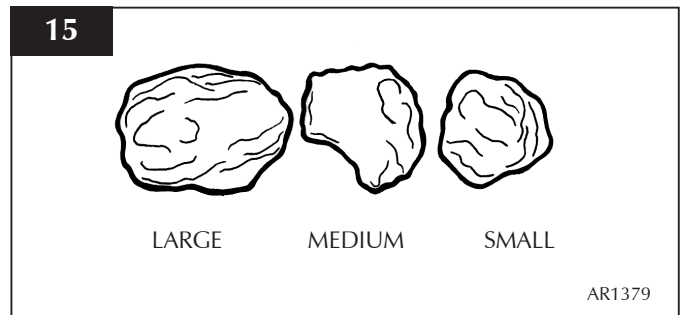
- 6.9 Position the flame baffle centrally on the tray and ensure the stepped lower edge engages against the rear edge of the burner skin, Diagram 13.



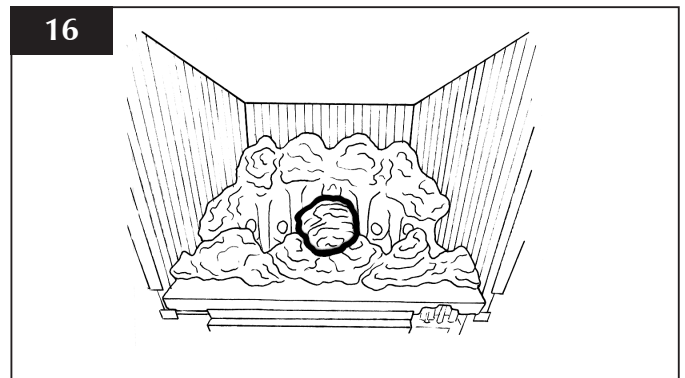
- 6.10 Place the front coal centrally in the channel at the front of the tray, Diagram 13. The relationship between the front coal and the flame baffle is shown in Diagram 14.



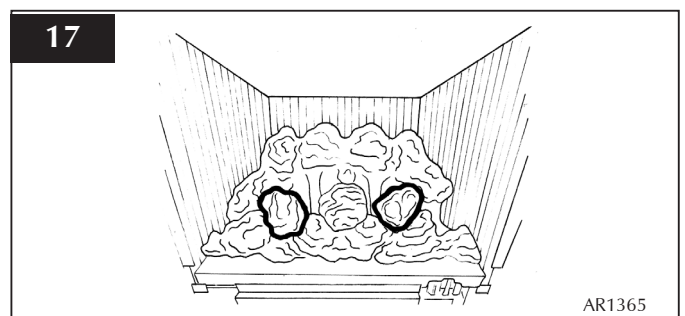
- 6.11 There are three sizes of coal used. Small x3, medium x4 and large x1. For identification, Diagram 15.



- 6.12 Place the single large coal in the central dent of the front coal resting against the flame baffle, Diagram 16.

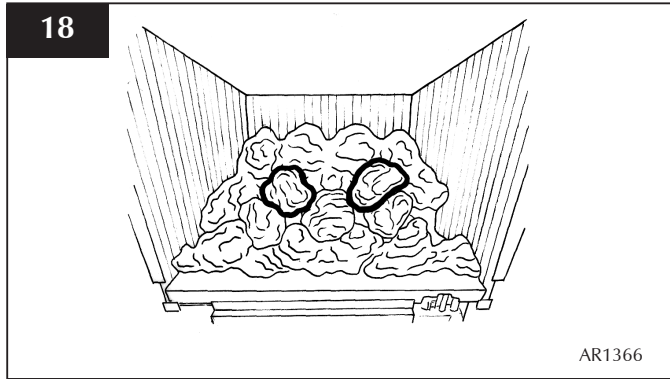


- 6.13 Place 2 medium-size coals either side of the first large coal, in the recess between the flame baffle and the front coal, Diagram 17

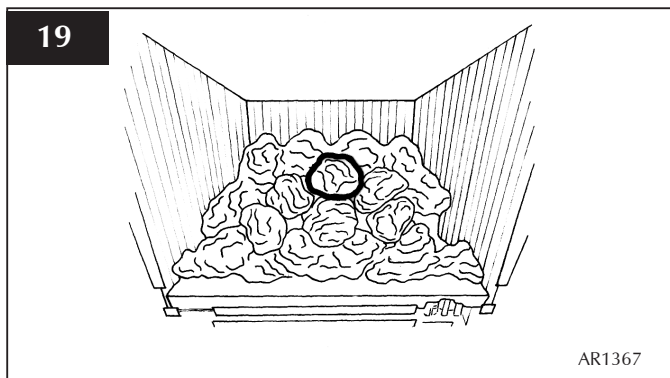


USER INSTRUCTIONS

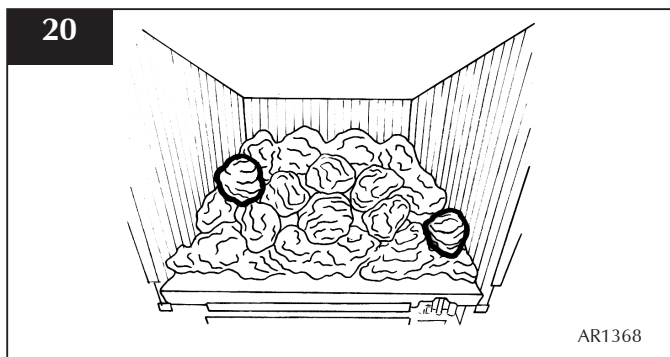
- 6.14 Place another two medium size coals resting behind the first three coals and against the flame baffle, Diagram 18.



- 6.15 Place a small coal directly behind the first large coal, and in between the centre of the last two medium coals resting on the flame baffle, Diagram 19.

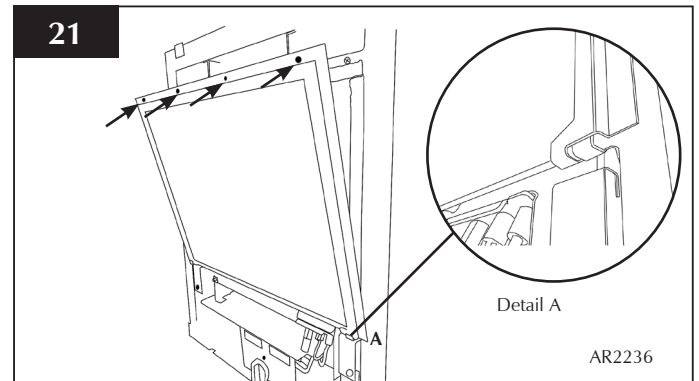


- 6.16 Place the last two small coals to the left and right-hand side of the bed in the two spaces, Diagram 20.



7. FITTING THE GLASS WINDOW

- 7.1 Ensure that the fibre glass window seal on the box is intact, then lower the glass window into the tabs on the box. The tabs should locate between the glass and the frame.
- 7.2 Secure the window using four screws in the retaining bracket, Diagram 21.



NEVER OPERATE THE FIRE WHEN THE GLASS PANEL IS REMOVED OR BROKEN.

8. OXYGEN DEPLETION SENSOR

The fire is fitted with an oxygen sensitive pilot system that will act to cut off the gas supply to the fire should the oxygen in the room fall below its normal level. If the fire is turned off by this device, it usually indicates that there is a problem with the flue system, and this should be inspected by a qualified engineer. **Do not attempt to use the fire until an engineer says it is safe to do so.**

This device is not a substitute for an independently mounted carbon monoxide detector.

9. FLAME FAILURE DEVICE

This is a safety feature incorporated in all GAZCO fires which automatically switches off the gas supply if the pilot light goes out and fails to heat the thermocouple.

10. RUNNING IN

The surface coating on the coals used in your GAZCO fire will burn off during the first few hours of use, producing a harmless and temporary odour. This will disappear after a short period of use. If the odour persists, ask your installer for advice.

USER INSTRUCTIONS

11. SERVICING

The fire must be serviced every 12 months by a qualified Gas Engineer. In all correspondence, always quote the fire type and serial number, which may be found on the data badge located by the control knob.

12. VENTILATION

Any purpose provided ventilation should be checked periodically to ensure that it is free from obstruction.

13. INSTALLATION DETAILS

To assist in any future correspondence, your installer should have completed the commissioning sheet at the front of this manual. In all correspondence always quote the Model Number and Serial Number.

INSTALLATION INSTRUCTIONS

TECHNICAL SPECIFICATION

Logic HE White Stone Effect: 101-324
101-651

| GAS CATEGORY | | I _{2H} | I _{3P} |
|-----------------------------|--------------------------------------|-----------------|-----------------|
| | | Natural | Propane |
| Gas Type | | G20 | G31 |
| Working Pressure | | 20mbar | 37mbar |
| Gross Input kW | HIGH | 4.1kW | 4.3kW |
| | LOW | 2.5kW | 2.4kW |
| Gas Rate m ³ /hr | | 0.41 | 0.153 |
| Efficiency Class | | 2 | 2 |
| NO _x Class | | 4 | 4 |
| Injector Size | | 240 | 102 |
| Aeration Size | | 6 x 6mm | 12mm x 15mm |
| Min Flue Size | 5" Diameter | | |
| Min Flue Size - Pre-cast | 90mm x 183mm (16500mm ²) | | |
| Min Flue Specification | T260/N2/0/D/1 | | |
| Gas Inlet | 8mm | | |

| APPLICABLE FRONTS | |
|-------------------|------------------------------------|
| FRONT | PART NUMBER |
| Designio | 8272MA + 8272IR + 8272GP |
| Progress | 8253MA + 8253IR |
| Dimension | 8680MB |
| Evolution | 8258BS + 8258MB |
| Steel | 8695GP + 8695IR |
| Futura | 8687BK |
| Fusion | 8699GP + 8699IR |
| Winchester | 8697MB + 8697P |
| Box Profil | 912-114, 912-349, 912-521, 912-696 |

| APPLICABLE FRAME & FRONT COMBINATIONS | | |
|---------------------------------------|------------|------------|
| FINISH | ARTS FRAME | ARTS FRONT |
| Black | 8283MB | 8282MB |
| Brass | 8283PBR | 8282PBR |
| Brushed Steel | 8283BS | |
| Polished Steel | 8283P | |
| Highlight Polished | | 8282HP |
| Chrome | | 8282P |

INSTALLATION INSTRUCTIONS

TECHNICAL SPECIFICATION

Logic HE Coal Effect: 101-151
101-497

| GAS CATEGORY | | I _{2H} | I _{3P} |
|-----------------------------|------|--------------------------------------|------------------------------------|
| | | Natural | Propane |
| Gas Type | | G20 | G31 |
| Working Pressure | | 20mbar | 37mbar |
| Gross Input kW | HIGH | 5.1kW | 4.8kW |
| | LOW | 2.5kW | 2.4kW |
| Gas Rate m ³ /hr | | 0.486 | 0.181 |
| Efficiency Class | | 2 | 2 |
| NO _x Class | | 3 | 3 |
| Injector Size | | 063 | 150 |
| Aeration Size | | 5mm x 16mm | (1) 10mm x 16mm (1) 23mm x 15mm |
| Min Flue Size | | 5" Diameter | |
| Min Flue Size - Pre-cast | | 90mm x 183mm (16500mm ²) | |
| Min Flue Specification | | T260/N2/0/D/1 | |
| Gas Inlet | | 8mm | |

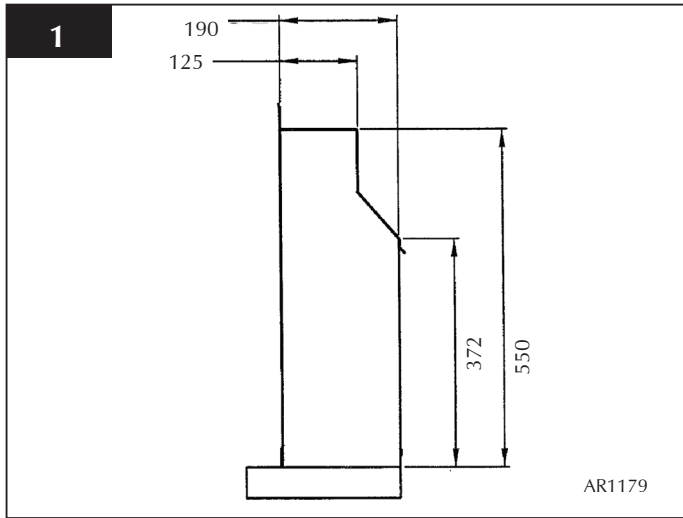
| APPLICABLE FRONTS | | | |
|-------------------|--------------------------|------------|------------------------------------|
| FRONT | PART NUMBER | FRONT | PART NUMBER |
| Designio | 8272MA + 8272IR + 8272GP | Yeoman | YM98906 |
| Progress | 8253MA + 8253IR | Futura | 8687BK |
| Dimension | 8680MB | Fusion | 8699GP + 8699IR |
| Evolution | 8258BS + 8258MB | Winchester | 8697MB + 8697P |
| Richmond | 8679 | Box Profil | 912-114, 912-349, 912-521, 912-696 |
| Stockton | 8696 | Steel | 8695GP + 8695IR |

| APPLICABLE FRAME & FRONT COMBINATIONS | | | | |
|---------------------------------------|---------------|------------|----------|---------|
| FINISH | ** ARTS FRAME | ARTS FRONT | HOLYROOD | SPANISH |
| Black | 8283MB | 8282MB | 8693MB | 8694MB |
| Brass | 8283PBR | 8282PBR | | |
| Black/Brass | | | 8693PBB | 8694PBB |
| Brushed Steel | 8283BS | | | |
| Polished Steel | 8283P | | | |
| Highlight Polished | | 8282HP | 8693HP | 8694HP |
| Chrome | | 8282P | 8693P | 8694P |

** The Arts Frame must be used in conjunction with either the Arts, Holyrood or Spanish Front.

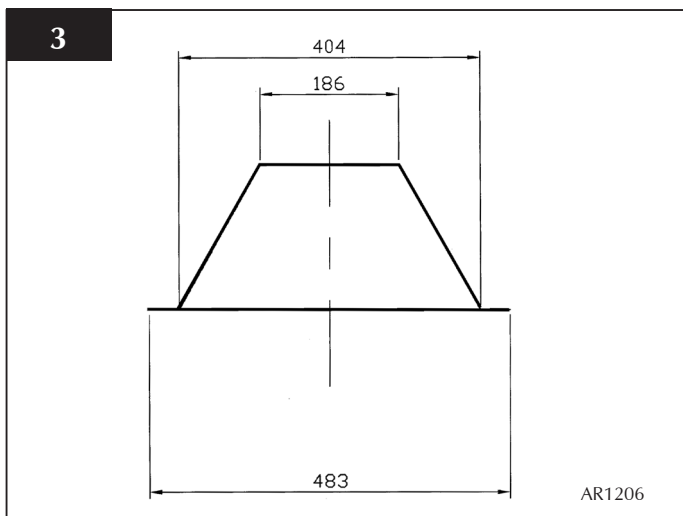
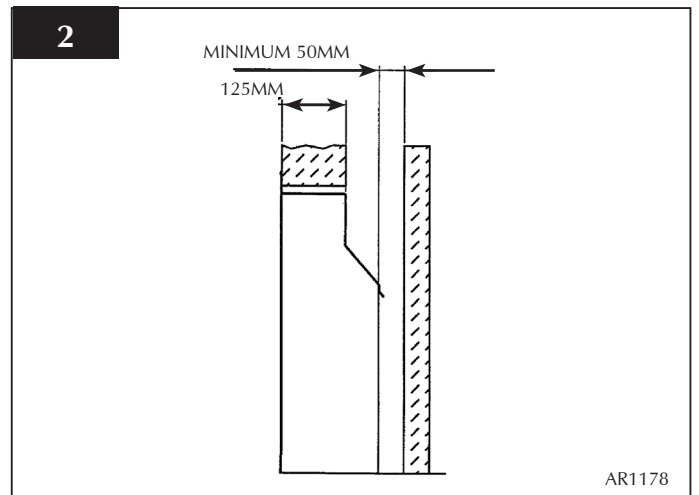
INSTALLATION INSTRUCTIONS

TECHNICAL SPECIFICATION



**OVERALL EXTERNAL
DIMENSIONS
SIDE VIEW**

**MINIMUM DEBRIS COLLECTION
SPACE REQUIREMENTS-
(EXISTING MASONRY CHIMNEYS ONLY)**



**OVERALL EXTERNAL
DIMENSIONS
PLAN VIEW**

INSTALLATION INSTRUCTIONS

SITE REQUIREMENTS

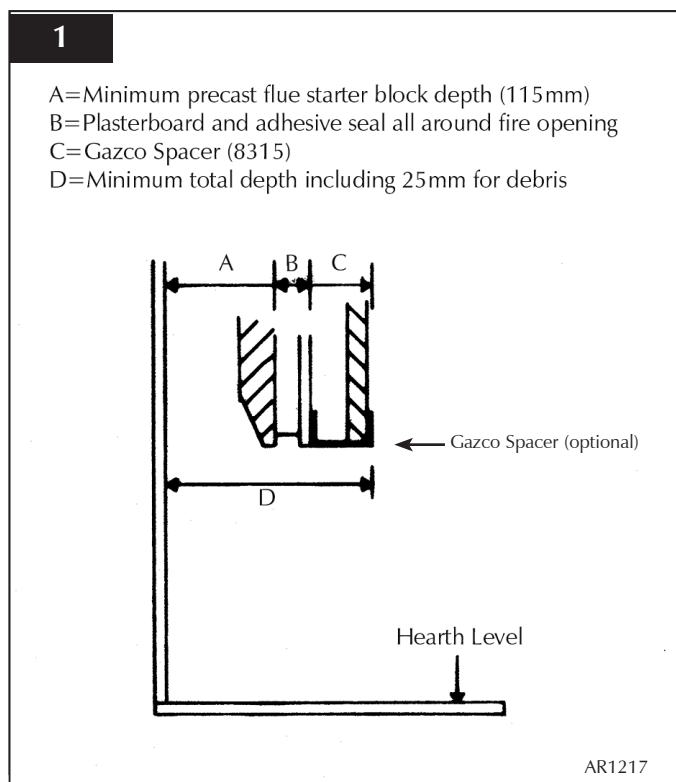
1. FLUE AND CHIMNEY REQUIREMENTS

- 1.1 The chimney or flue system must comply with the rules in force, and must be a minimum of 125mm (5") in diameter. Precast flues must conform to BS1289: 1986. The cross sectional area of the flue must be 16500 mm² with a minimum dimension of 90mm.

When fitting the fire to a precast flue, the total minimum depth of fire opening necessary is (D) 215mm. This allows a 25mm space behind the fire for debris, required on this type of flue system. This is achieved either by using = (A) a 115mm deep starter block + (B) a 25mm plasterboard and sealed space + (C) 75mm Gazco Spacer (part number 8315) with a marble slip or similar, inserted behind the spacer front flange, see Diagram 1.

Or the total depth can be achieved by using a deeper starter block, remedial building work to the front of the fireplace opening, and a marble slip or similar, or a combination of this.

NEVER PLASTER DIRECT TO THE FACE OF A PRECAST FLUE. USE ADHESIVE TO FIX THE PLASTERBOARD TO THE FACE OF THE FLUE AND FINALLY SKIM THE PLASTERBOARD.



The fire can also be fitted into a metal flue box with a 5" (125mm) diameter flexible liner. In this installation a 1" (25mm) rebated fire surround must be used. Refer to Diagram 2 for dimensions.

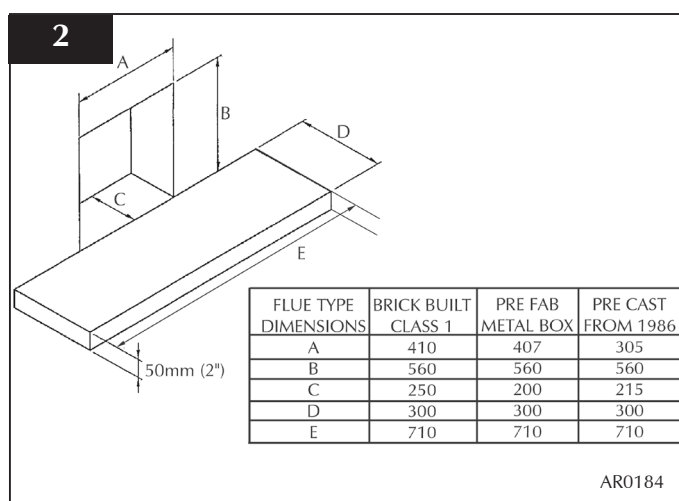
- 1.2 The minimum effective height of the flue or chimney must be 3 m (10ft).

- 1.3 The chimney or flue must be free from any obstruction. Any damper plates should be removed or secured in the fully open position, and no restrictor plates should be fitted.
- 1.4 The chimney should be swept immediately prior to the installation of the fire - unless it can be seen to be clean and unobstructed throughout its entire length.
- 1.5 Ensure that there is a smooth taper transition from the fireplace opening into the chimney or flue
- 1.6 The flue pull should be checked prior to installation of the fire. Apply a smoke pellet to the flue or chimney opening and ensure that the smoke is drawn into the opening. If there is not a definite flow, preheat the chimney for a few minutes and re-test the flow.

IF THERE IS STILL NO DEFINITE FLOW, THE CHIMNEY MAY REQUIRE ATTENTION - SEEK EXPERT ADVICE.

2. APPLIANCE LOCATION

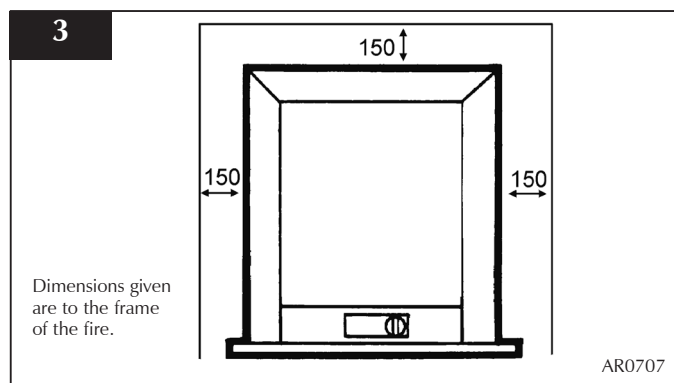
- 2.1 This appliance must stand on a non combustible hearth that is at least 12mm thick. If the fire is greater than 50mm above the floor, then no hearth is required, although due consideration should be given to how the heat may affect the floor material.
- 2.2 **NOTE: It is recommended you construct the back panel of the fireplace from natural materials cut into three or more sections to prevent cracking. Resin-based materials may not be suitable. This appliance is an effective heat producer and attention must be paid to the construction and finish of the fireplace.**
- 2.3 It must be fitted into a non-combustible opening.
- 2.4 These fires must be hearth mounted into a fireplace opening conforming to National Standards. The minimum dimensions shall be as shown in Diagram 2.



INSTALLATION INSTRUCTIONS

SITE REQUIREMENTS

- 2.5 Ensure that no naked flame or incandescent part of the fire bed projects beyond the vertical plane of the fireplace opening.
- 2.6 The fire must not be installed in any room that contains a bath or shower.
- 2.7 Ensure clearances to combustible materials, Diagram 3.



- 2.8 The maximum depth of combustible shelf is 150mm at a minimum height of 150mm above the frame.

Refer to the appropriate Frame Instructions regarding additional wall strengthening for the frame.

3. GAS SUPPLY

- 3.1 Before installation, ensure that the local distribution conditions (identification of the gas type and pressure) and the adjustment of the appliance are compatible.
- 3.2 Ensure that the gas supply is capable of delivering the required amount of gas, and is in accordance with the rules in force.
- 3.3 This appliance is supplied complete with a factory fitted isolation device incorporated into the inlet connection, no further isolation device is therefore required.

4. VENTILATION

It is important to ensure that any national ventilation requirements are taken into account during the installation of this fire.

- 4.1 This fire has a nominal input not exceeding 7.0 kW and therefore does not normally require any additional permanent ventilation. If, however, spillage is detected when commissioning the fire, there may be insufficient natural ventilation and additional ventilation may be required.

For ventilation requirements in the Republic of Ireland, it will be necessary to refer to the relevant rules in force.

AIR VENTS MUST NOT BE RESTRICTED.

INSTALLATION INSTRUCTIONS

INSTALLATION

1. UNPACKING

- 1.1
- Remove the appliance from its packaging, and check that it is complete and undamaged
 - Put the loose ceramic parts to one side so that they are not damaged during installation.

2. SAFETY PRECAUTIONS

- 2.1 This appliance must be installed in accordance with the rules in force, and used only in a sufficiently ventilated space. Please read all instructions before installation and use of this appliance.
- 2.2 These instructions must be left intact with the user.
- 2.3 Do not attempt to burn rubbish on this appliance.
- 2.4 In your own interest, and those of safety, this fire must be installed by a competent person in accordance with local and national codes of practice. Failure to install the fire correctly could lead to prosecution.
- 2.5 Keep all plastic bags away from young children.

3. INSTALLATION OF THE GAS SUPPLY

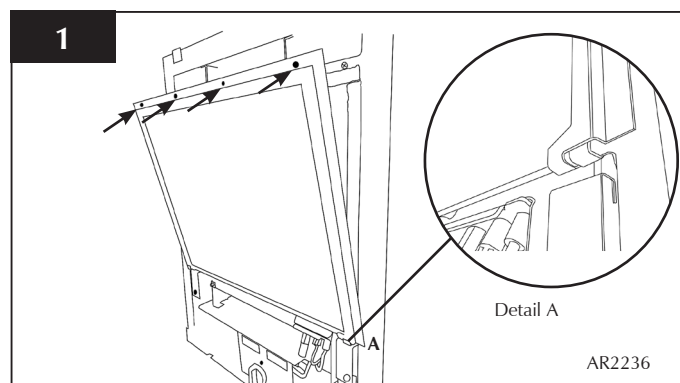
| NATURAL GAS @ 20mbar | PROPANE @ 37mbar |
|----------------------|------------------|
| 101-151 | 101-497 |
| 101-324 | 101-651 |

TO CHANGE FROM ONE GAS TYPE TO ANOTHER A COMPLETE ENGINE ASSEMBLY AND DATA BADGE WILL BE REQUIRED. SEE SECTION 7 REPLACING PARTS.

- 3.1 Before installation, ensure that the local distribution conditions (identification of the type of gas and pressure) and the adjustment of the fire are compatible. See table above.
- 3.2 Ensure that the gas supply is capable of delivering the required amount of gas and is in accordance with the rules in force. Please refer to the technical specification for the correct working pressure for the gas used.
- 3.3 Soft copper tubing and soft soldered joints can be used but must not be closer than 50mm (2") to the underside of the burner.
- 3.4 An isolation device is provided with the fire.
- 3.5 All supply gas pipes must be purged of any debris that may have entered, prior to connection to the appliance.
- 3.6 This appliance is intended for use on a gas installation with a governed meter.

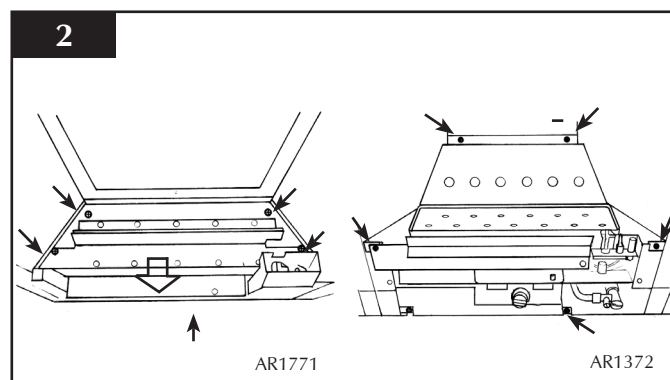
4. PREPARING THE APPLIANCE

- 4.1
- Remove the glass window by unscrewing the four screws in the retaining bracket, Diagram 1
 - Lift frame off the lower locations tabs (Detail A)

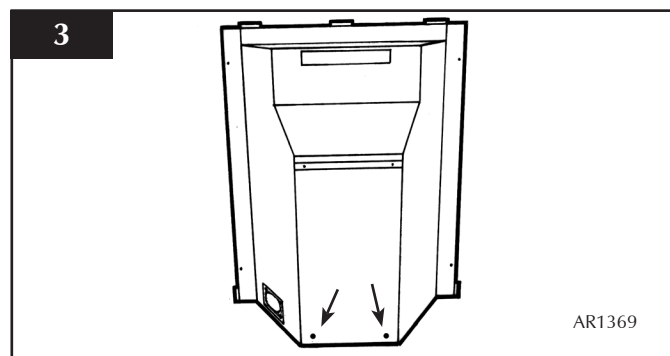


- 4.2 Remove the five burner retaining screws and withdraw the burner unit from its location, Diagram 2.

NOTE: IF REMOVING THE E-STUDIO BURNER, IT WILL BE NECESSARY TO REMOVE THE DECORATIVE INNER PANEL, SEE SECTION 7



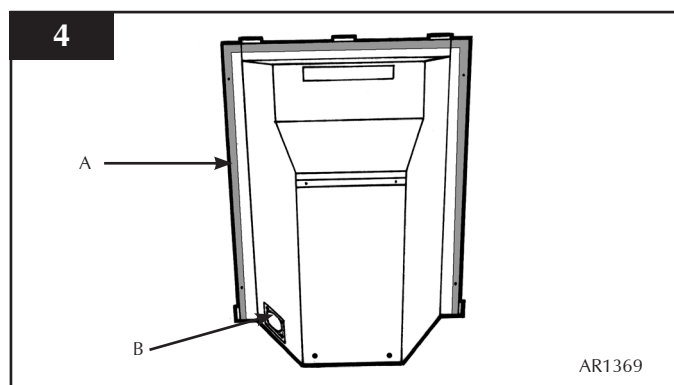
- 4.3 Decide on the retention method, if the cable retention kit is to be used then remove the two knockout holes on the rear of the box using a sharp hammer blow, Diagram 3.



INSTALLATION INSTRUCTIONS

INSTALLATION

- 4.4 Remove the backing from the self-adhesive silicone sealing strip and apply to the rear flange of the firebox ensuring that it is positioned as close to the outer edge as is practically possible, Diagram 4, Arrow A.



- 4.5 Gas pipe entry must come through the right-hand side of the box. The rubber seal must be cut using a sharp knife to allow the isolating elbow to pass through it. Ensure the rubber is not damaged when doing this, Diagram 4, Arrow B.

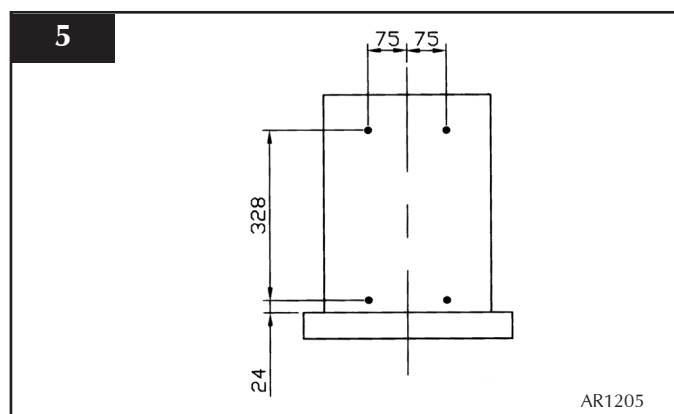
A means of isolation is provided with the fire. This must be fitted to the supply pipe prior to installing the firebox.

5. INSTALLATION OF THE FIRE

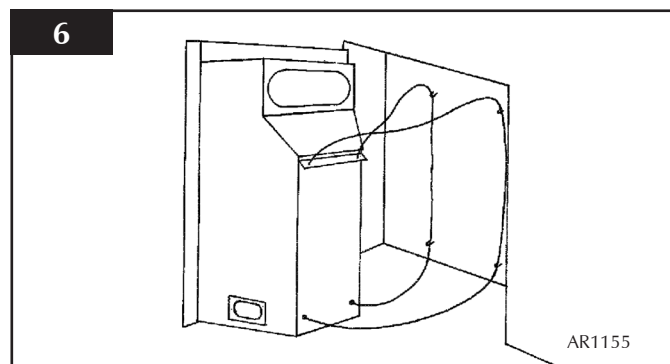
- 5.1 Ensure that the fireplace opening is in compliance with Section 2 Site Requirements then proceed as follows:

A) CABLE RETENTION METHOD

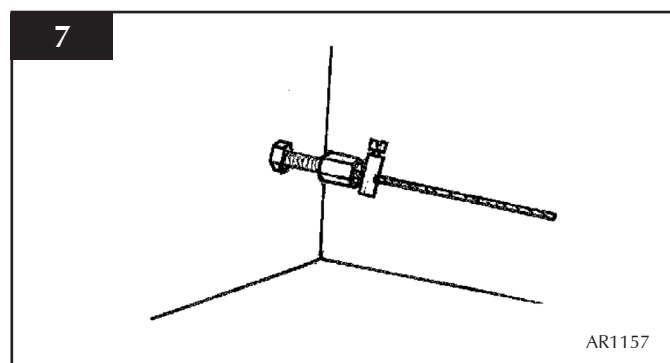
- 5.2 Mark the position of the 4 fixing holes on the rear of the fireplace opening and drill the holes using a 7mm masonry drill bit. Insert the 4 steel expansion plugs and screw the eyebolts in as far as possible leaving the eye horizontal, Diagram 5.



- 5.3 • Pass the 2 cables through the holes in the bracket on the back of the firebox and pull taut so that the stop ends sit tightly against the top of the bracket, Diagram 6



- 5.4 Pass the cables vertically through the 2 sets of eyebolts and thread the ends through the holes in the lower back of the firebox. Pass the gas supply pipe through the hole in the rubber seal (refer to section 4.5) and push the fire into place.
- 5.5 Thread the cables through the tensioner bolts and push the threaded portions through the holes in the firebox so that the lock nut sits against the back wall (ensure that the nut is screwed fully up to the head of the tensioner to allow maximum adjustment).
- 5.6 Slide the locking nipples onto the cables, pull the cables taut and tighten the locking screw. Adjust the lock nuts using a 10mm spanner until the silicone sealing strip forms a tight seal between the fireplace opening and the firebox flange, Diagram 7



- 5.7 Coil up the surplus cable and locate in the back of the firebox.

NEVER SHORTEN THE CABLES, THEY WILL BE REQUIRED WHEN SERVICING THE APPLIANCE.

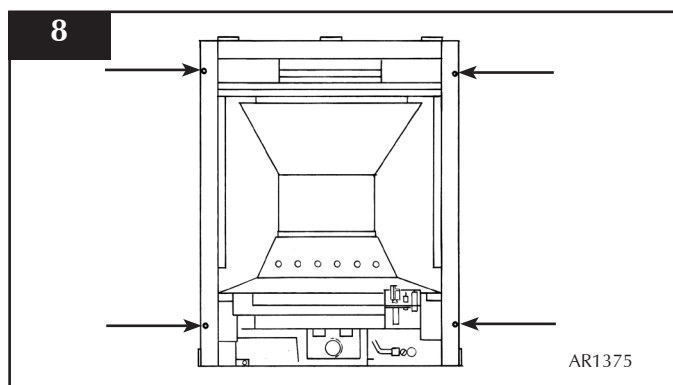
- 5.8 Replace the lower cover plate.
Note: The cable adjuster may need to be tucked upward in order to fit the lower cover plate.

INSTALLATION INSTRUCTIONS

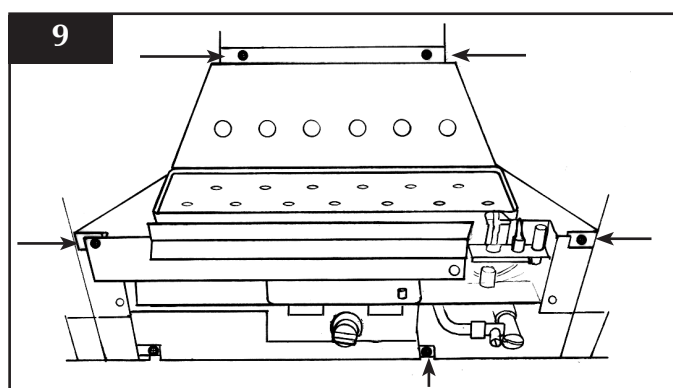
INSTALLATION

B) SCREW FIXING METHOD

- 5.9 Alternatively, this appliance can be secured back to the fireplace opening using the screws and expansion plugs provided.
- 5.10 Place the firebox centrally in the opening and mark the positions of the 4 fixing holes. Drill the holes and insert the 4 expansion plugs. See Diagram 8



- 5.11 Offer the firebox into the opening and ensure that the gas supply pipe passes through the rubber seal.
- 5.12 Refit the burner assembly and secure the 5 pozidrive screws.
Connect the gas supply to the inlet connection on the burner unit and tighten. It may be necessary to support the inlet connection with another spanner whilst tightening this joint. See Diagram 9.

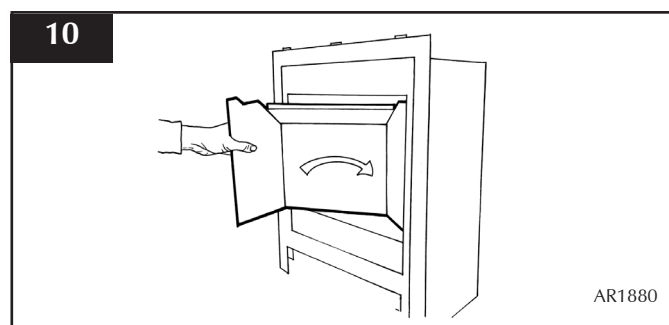


- 5.13 Turn on the gas supply to the appliance and check for leaks. Light the fire and check all joints on the appliance for leaks.
- 5.14 Remove the sealing screw from the inlet connection and connect a suitable "U" gauge manometer.
Light the fire and turn to the maximum position, refer to the data badge and ensure that the running pressure is correct. If the pressure varies significantly from that on the data badge, this may indicate a supply problem and will require immediate attention.

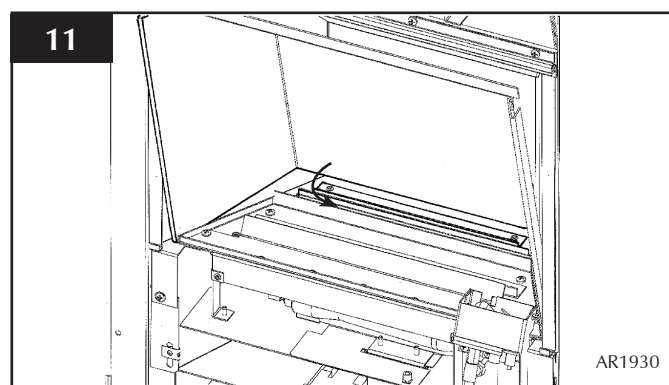
- 5.15 Turn the appliance off, disconnect the "U" gauge and replace the sealing screw. Relight the appliance and check the sealing screw for leaks.

6. FITTING THE DECORATIVE INNER PANEL - WHITE STONE EFFECT

- 6.1 By rotating the panel, insert into fire box, Diagram 10.

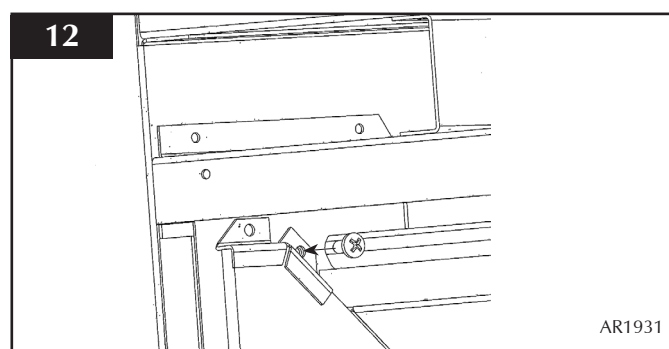


- 6.2 Check that the panel is sitting behind the rear ledge of the burner, Diagram 11



- 6.3 Secure the panel using the two upper brackets and the pozidriv screws, Diagram 12
Use only the rearmost hole in the retaining bracket on each side

NOTE: IT IS IMPORTANT TO ENSURE THAT THE PANEL LOCATES TIGHTLY AGAINST THE BURNER TRAY.



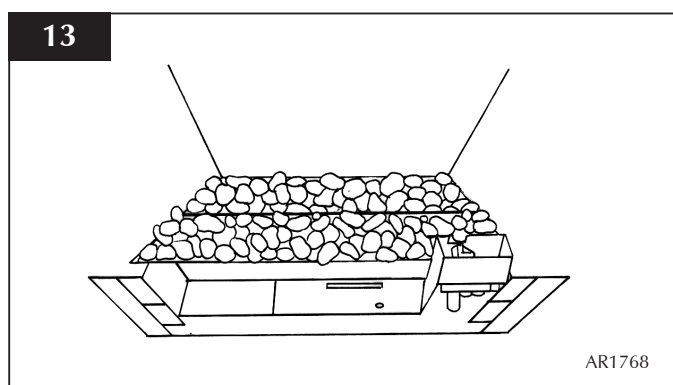
INSTALLATION INSTRUCTIONS

INSTALLATION

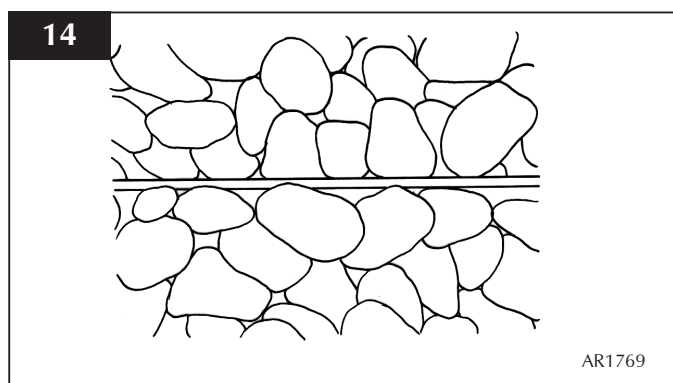
7A. ARRANGEMENT OF THE FUEL BED COMPONENTS - WHITE STONE EFFECT

ONLY USE THE CORRECT TYPE AND QUANTITY OF WHITE STONES. ALWAYS FOLLOW THE FUEL BED LAYOUT AS STATED IN THESE INSTRUCTIONS. NEVER CHANGE THE LAYOUT FROM THAT SHOWN HERE.

- 7.1 Arrange the white stones in the areas highlighted in Diagram 13. They should be evenly distributed

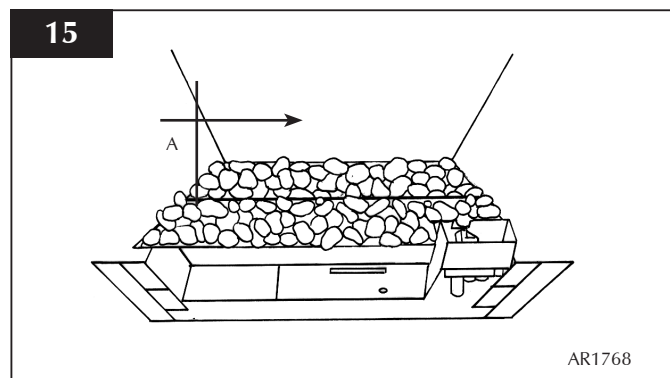


- 7.2 Lean the white stones against the burner ledges to disguise the ledges, Diagram 14



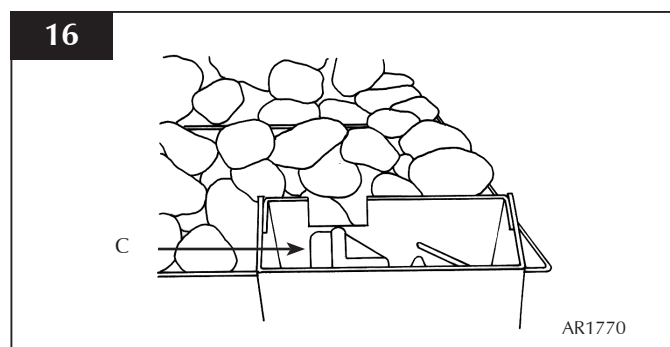
- 7.3 Check that the port area. Arrow A, Diagram 15 is clear of white stones. This can be easily done by gently running a screwdriver or similar object along this area.

NOTE: IT IS IMPORTANT THE WHITE STONES DO NOT COVER THE PORT AREA IN BETWEEN THE BURNER LEDGES.



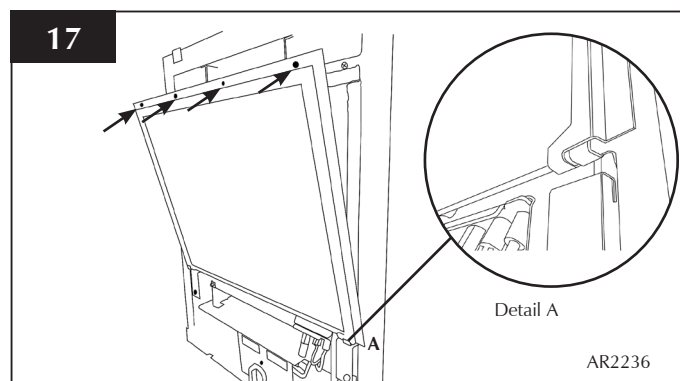
- 7.4 Ensure that no white stones over-hang or fill the pilot area, Arrow C, Diagram 16.

NOTE: STONES SHOULD NOT BE PLACED DIRECTLY IN FRONT OF THE PILOT CROSS LIGHTING FLAME.



FITTING THE GLASS WINDOW

- 7.5 Ensure that the fibre glass window seal on the box is intact.
- Lower the glass window into the tabs on the box. The tabs locate between the glass and metal work on the frame (Detail A).
 - Secure the window using four screws in the retaining bracket, Diagram 17



INSTALLATION INSTRUCTIONS

INSTALLATION

ADVICE ON HANDLING AND DISPOSAL OF FIRE CERAMICS

The fuel effect and side panels in this appliance are made from Refractory Ceramic Fibre (RCF), a material which is commonly used for this application.

Protective clothing is not required when handling these articles, but we recommend you follow normal hygiene rules of not smoking, eating or drinking in the work area and always wash your hands before eating or drinking.

To ensure that the release of RCF fibres are kept to a minimum, during installation and servicing a HEPA filtered vacuum is recommended to remove any dust accumulated in and around the appliance before and after working on it. When servicing the appliance it is recommended that the replaced items are not broken up, but are sealed within heavy duty polythene bags and labelled as RCF waste.

RCF waste is classed as stable, nonreactive hazardous waste and may be disposed of at a licensed landfill site.

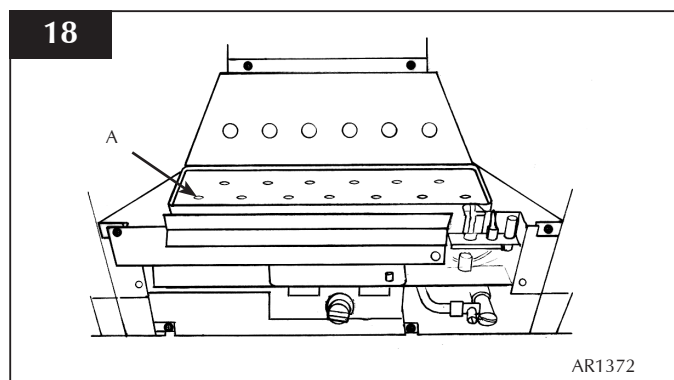
Excessive exposure to these materials may cause temporary irritation to eyes, skin and respiratory tract; wash hands thoroughly after handling the material.

7B. ARRANGEMENT OF THE FUEL BED COMPONENTS - COAL EFFECT

NOTE: CERAMIC PARTS ARE FRAGILE. THE SIDE AND REAR PANELS ARE REVERSIBLE. ONE SIDE IS PLAIN, THE OTHER SIDE IS REEDED

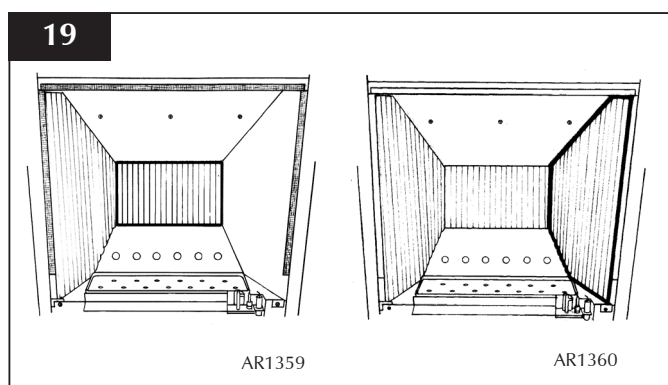
ONLY USE THE CORRECT TYPE AND QUANTITY OF CERAMIC COMPONENTS. ALWAYS FOLLOW THE FUEL BED LAYOUT AS STATED IN THESE INSTRUCTIONS. NEVER CHANGE THE LAYOUT FROM THAT SHOWN HERE.

- 7.6 Position the burner cover gasket on the burner skin ensuring the holes align with the ports
Take care as the front left-hand hole is offset compared to the others, Diagram 18, arrow A

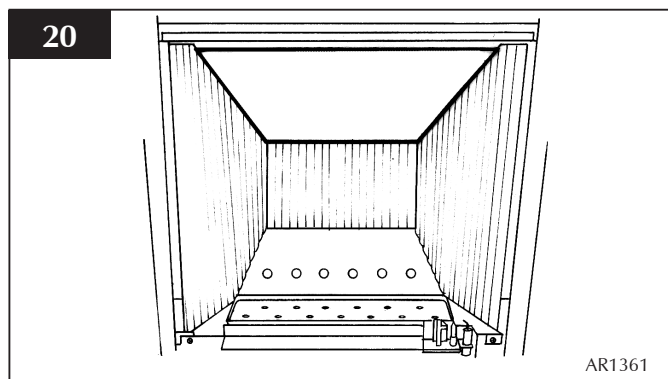


- 7.7 Place the rear panel against the rear of the box resting on the shelf
Slide one of the side panels into the box ensuring it touches the rear panel
Gently ease the front edge of the side panel behind the flange so it lies flat against the wall of the box

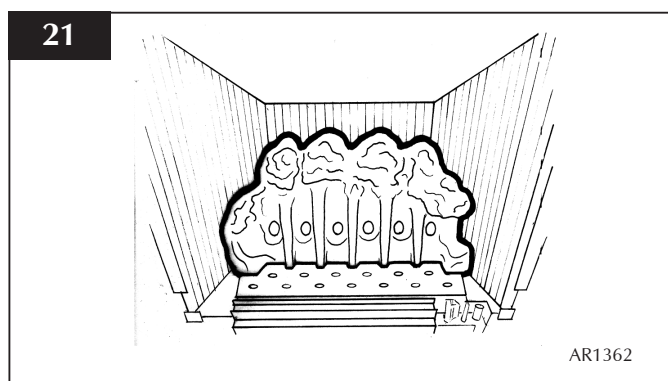
- Repeat with the second side panel, Diagram 19



- 7.8 Locate the top panel on top of the sides and rear by lifting it up and forward inside the box
Slide it backwards and down behind the side panels to rest on the rear panel, Diagram 20.



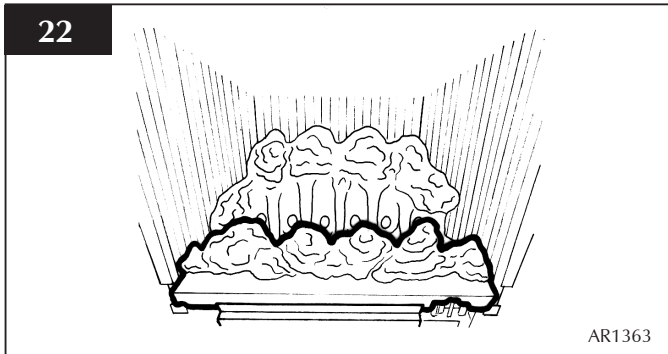
- 7.9 Position the flame baffle centrally on the tray and ensure the stepped lower edge engages against the rear edge of the burner skin, Diagram 21.



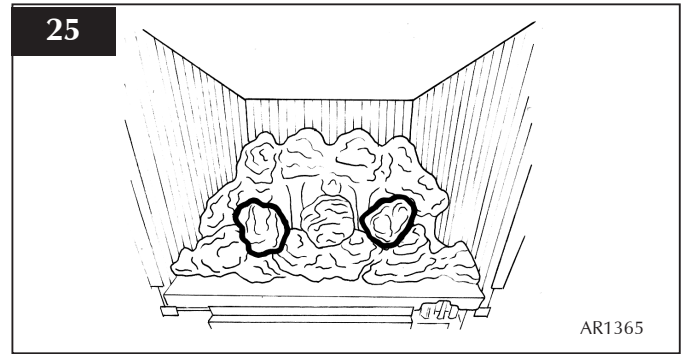
INSTALLATION INSTRUCTIONS

INSTALLATION

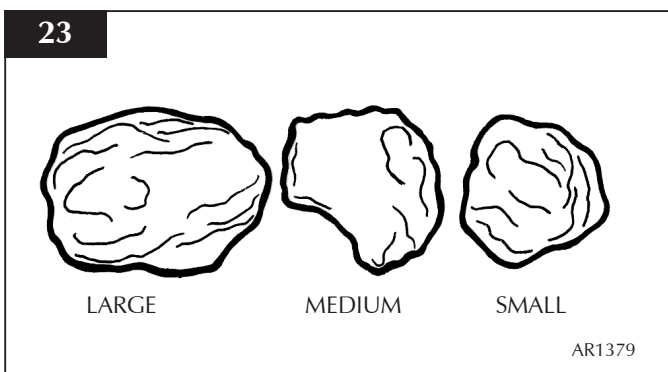
7.10 Place the front coal centrally in the channel at the front of the tray, Diagram 22. The relationship between the front coal and the flame baffle is shown in Diagram 22.



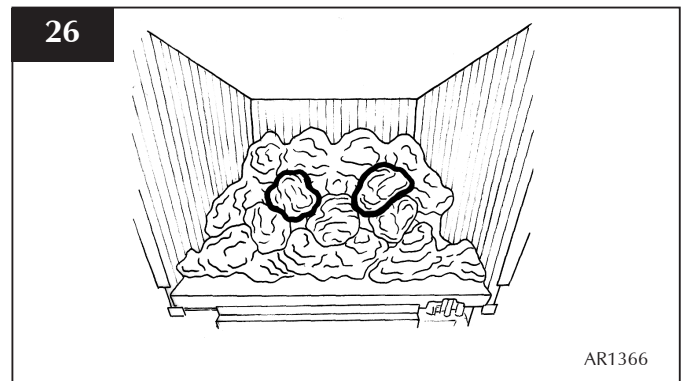
7.13 Place 2 medium size coals either side of the first large coal, in the recess of the front coal between the flame baffle and the front coal, Diagram 25.



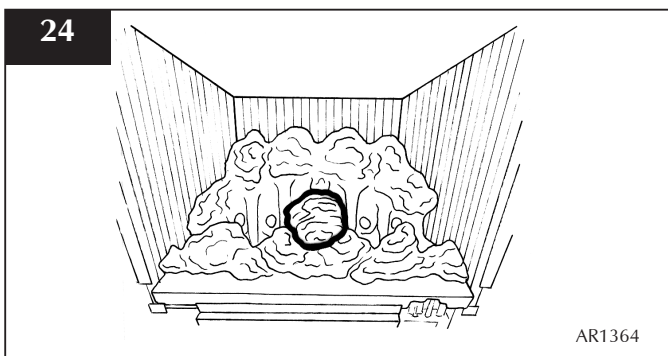
7.11 There are three sizes of coal used. Small x3, medium x4 and large x1. For identification, Diagram 23.



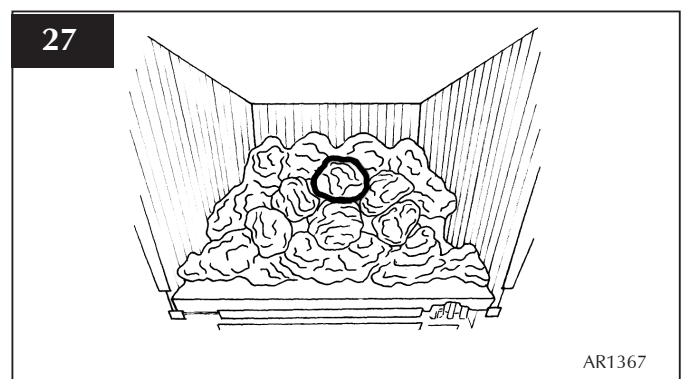
7.14 Place another two medium size coals behind the first three coals and against the flame baffle, Diagram 26.



7.12 Place the single large coal in the central dent of the front coal resting against the flame baffle, Diagram 24.



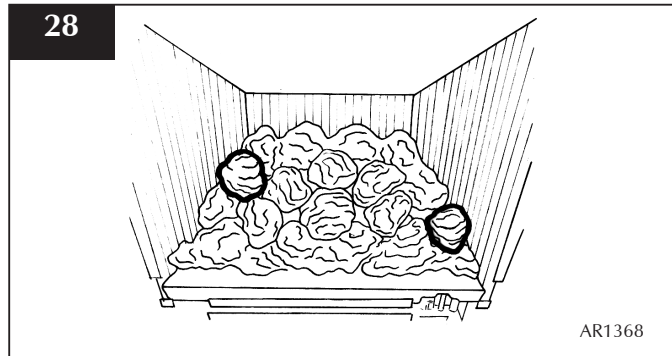
7.15 Place a small coal directly behind the first large coal, and in between the centre of the last two medium coals resting on the flame baffle, Diagram 27.



INSTALLATION INSTRUCTIONS

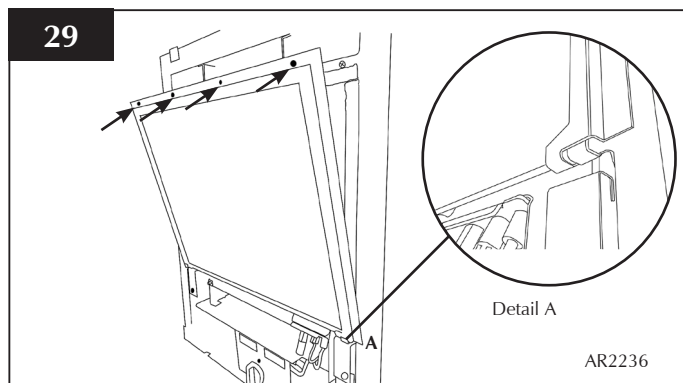
INSTALLATION/ COMMISSIONING

- 7.16 Place the last two small coals to the left and right-hand side of the bed in the two spaces, Diagram 28.



FITTING THE GLASS WINDOW

- 7.17 Ensure that the fibre glass window seal on the box is intact, then lower the glass window into the hooks on the box.
- 7.18 Ensure the tab fits between the glass and the frame.
- 7.19 Secure the window using four screws in the retaining bracket, Diagram 29.



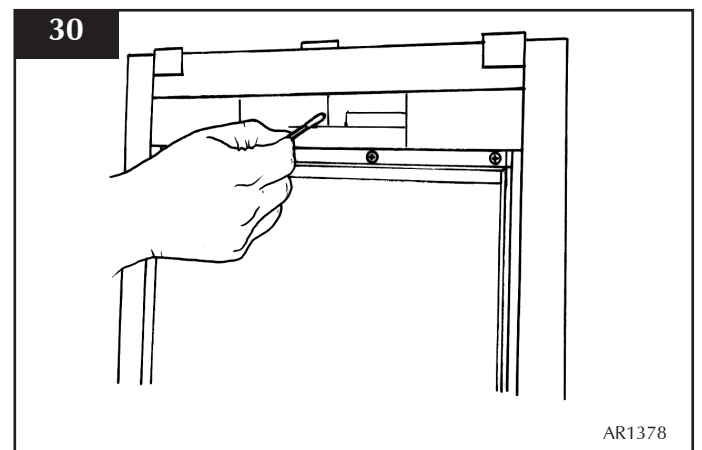
NEVER OPERATE THE FIRE WHEN THE GLASS PANEL IS REMOVED OR BROKEN.

8. LIGHTING THE FIRE

- 8.1 For instructions on lighting the appliance see Users Instructions, Section 2, page 4.

9. COMMISSIONING

- 9.1 Close all windows and doors to the room, check all controls, and allow fire to burn on maximum for 5 minutes. Test for spillage of flue products using a smoke match. Pass the lighted smoke match along the top front of the draught diverter, just inside, Diagram 30.



- 9.2 If the fire spills, run for a further 10 minutes and re-check.
- 9.3 If there are extractor fans in the room or adjacent rooms, the spillage test must be repeated with the extractors running on maximum.

IF SPILLAGE PERSISTS, DISCONNECT THE FIRE AND SEEK EXPERT ADVICE.

For future reference record the installation details on the commissioning sheet on page 3 of these instructions.

SERVICING INSTRUCTIONS

SERVICING

1. SERVICING REQUIREMENTS

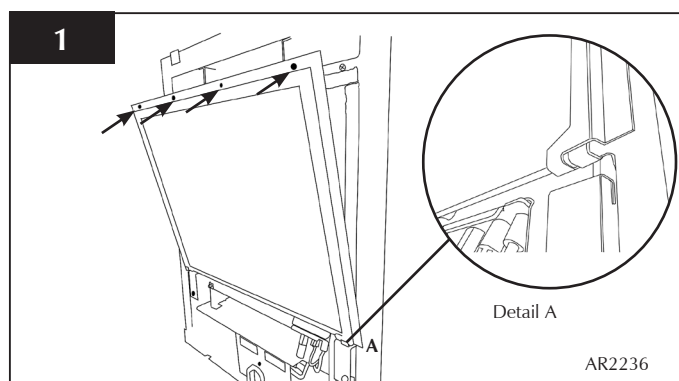
IMPORTANT – The glass panel on this appliance should be checked for any signs of damage on the front face of the glass panel (scratches, scores, cracks or other surface defects). If damage is observed, the glass panel must be replaced and the appliance must not be used until a replacement is installed. Under no circumstances should the appliance be used if any damage is observed. Please isolate the appliance until a replacement glass panel has been obtained and installed. Replacement glass panels can be purchased from Gazco via the dealer from which the appliance was purchased or any other Gazco distributor.

This fire must be serviced at least once a year by a competent person.
All tests must be serviced by best practice as described by the current Gas Safe recommendations.

- 1.1 Before any tests are undertaken on the fire, conduct a gas soundness test for the property to ensure that there are no gas leaks prior to starting work.
- 1.2 Before any tests are undertaken on the fire it is also recommended to fully check the operation of the fire.
- 1.3 Special checks
 - 1.3.1 Clean any lint or fluff from the pilot - pay particular attention to the aeration hole in the side of the pilot.
 - 1.3.2 Clean away any fluff or lint from under the burner
 - 1.3.3 Check that the spark gap on the pilot is correct.
- 1.4 Correct any faults found during the initial tests and then recommission the fire conducting the usual safety checks.
- 1.5 Advise the customer of any remedial action taken.

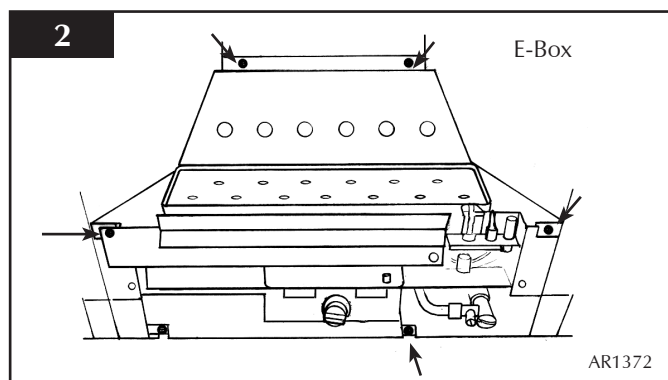
As part of the annual service, the space behind the firebox must be inspected for any debris, which may have fallen down the chimney. To remove the fire from the firebox first:

- 1.6
 - Remove the decorative frame. There are two screws securing the frame to the fire. Refer to separate frame instructions.
 - Turn off the gas supply at the isolation device located under the fire.
 - Disconnect the gas supply pipe leaving the isolation device on the supply pipe and not the fire.
 - Remove the glass window by removing the four screws in the retaining bracket, Diagram 1.
 - Lift off of the lower location tabs (Detail A)



COAL EFFECT ONLY

- 1.7
 - Remove the loose coals, and place on a dry, clean surface.
 - Remove the front coal, flame baffle and all the ceramic liners. All these items are very fragile so store them carefully.
 - Remove the five screws securing the burner unit to the fire and lift clear, Diagram 2



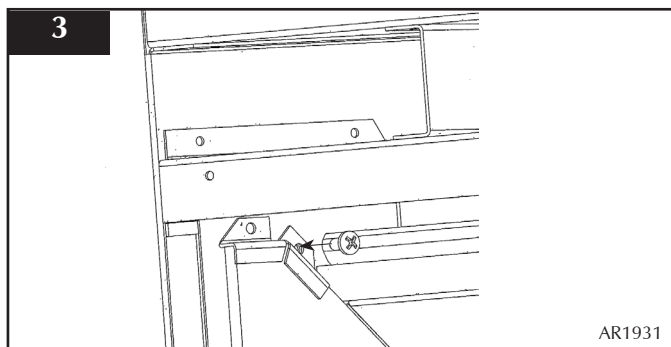
- Proceed to 1.9 in this section.

WHITE STONE EFFECT ONLY

- 1.8 Remove the white stones and place on a clean dry surface
 - Remove the two decorative panel securing clamps, Diagram 3

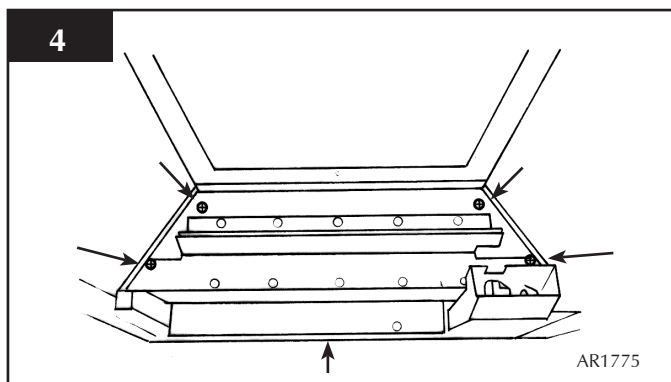
SERVICING INSTRUCTIONS

SERVICING



- Carefully remove the enamel back panel by rotating it out of the firebox

TAKE EXTREME CARE WHILST REMOVING THESE PANELS NOT TO SCRATCH OR CHIP THE PANEL ON THE SIDES OF THE FIREBOX.

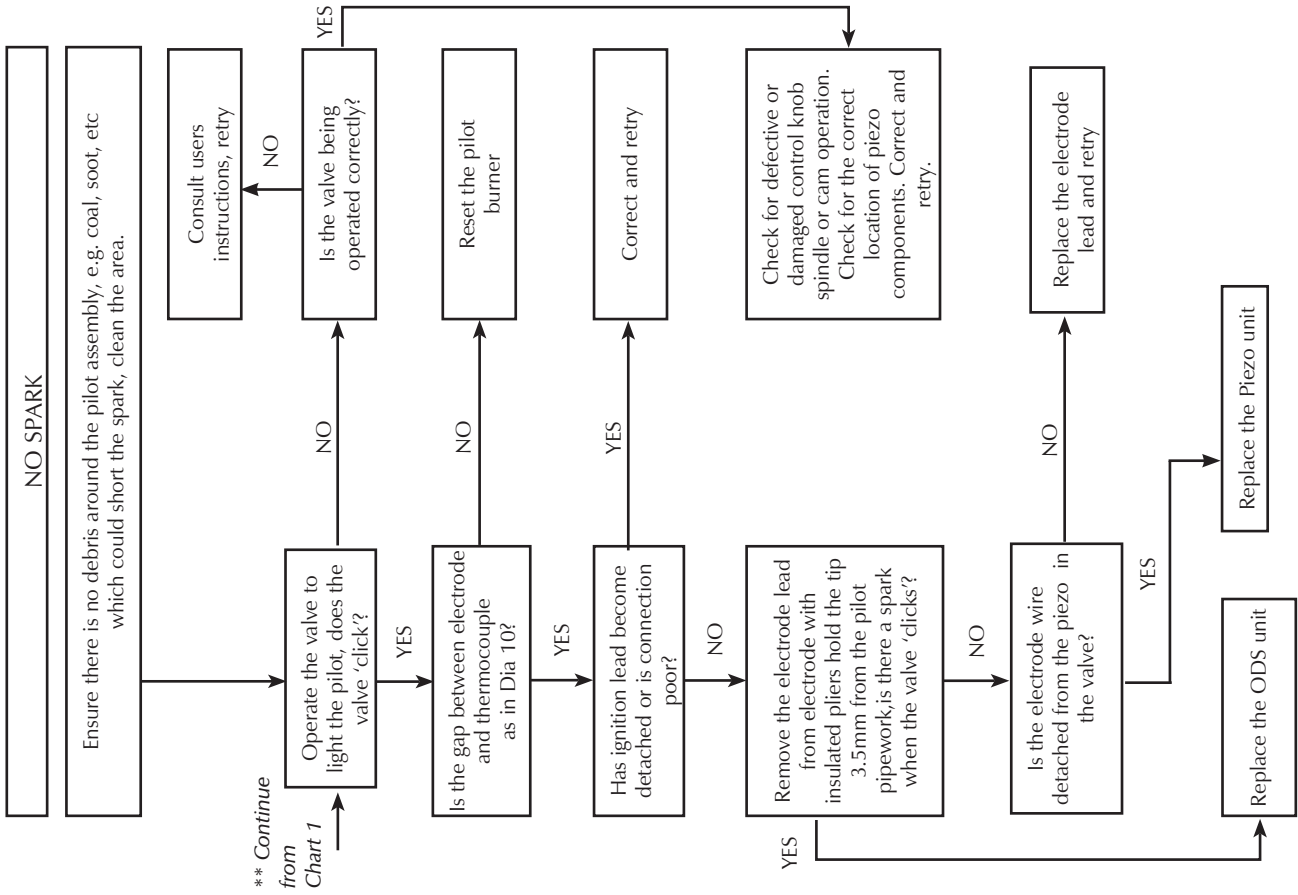


- Remove the 5 screws securing the burner:
- Gently slide the whole burner assembly forward
- Clean any debris from the burner skin

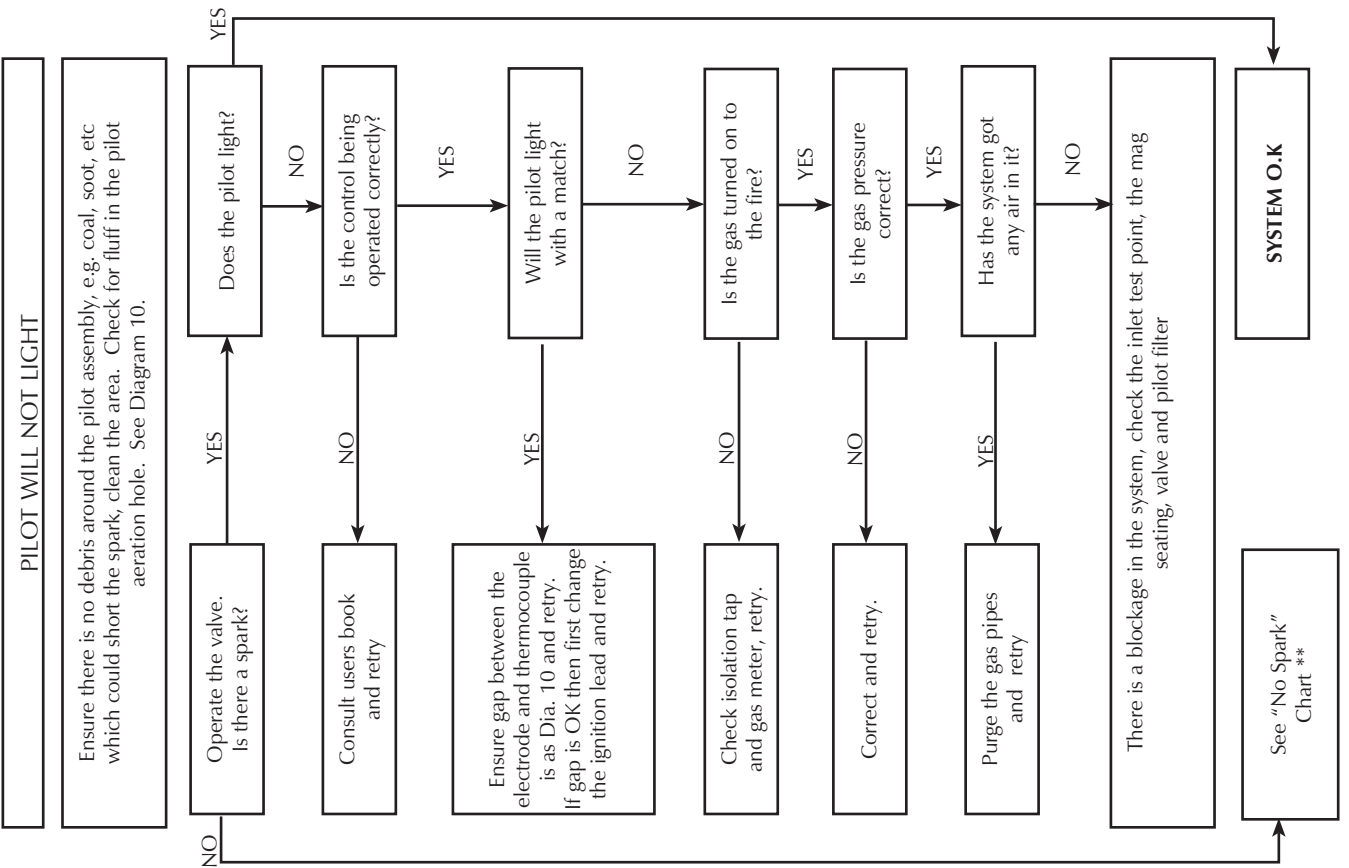
SERVICING INSTRUCTIONS

FAULT FINDING CHARTS

IGNITION FUNCTIONAL CHECK 2



IGNITION FUNCTIONAL CHECK 1



SERVICING INSTRUCTIONS

FAULT FINDING CHARTS

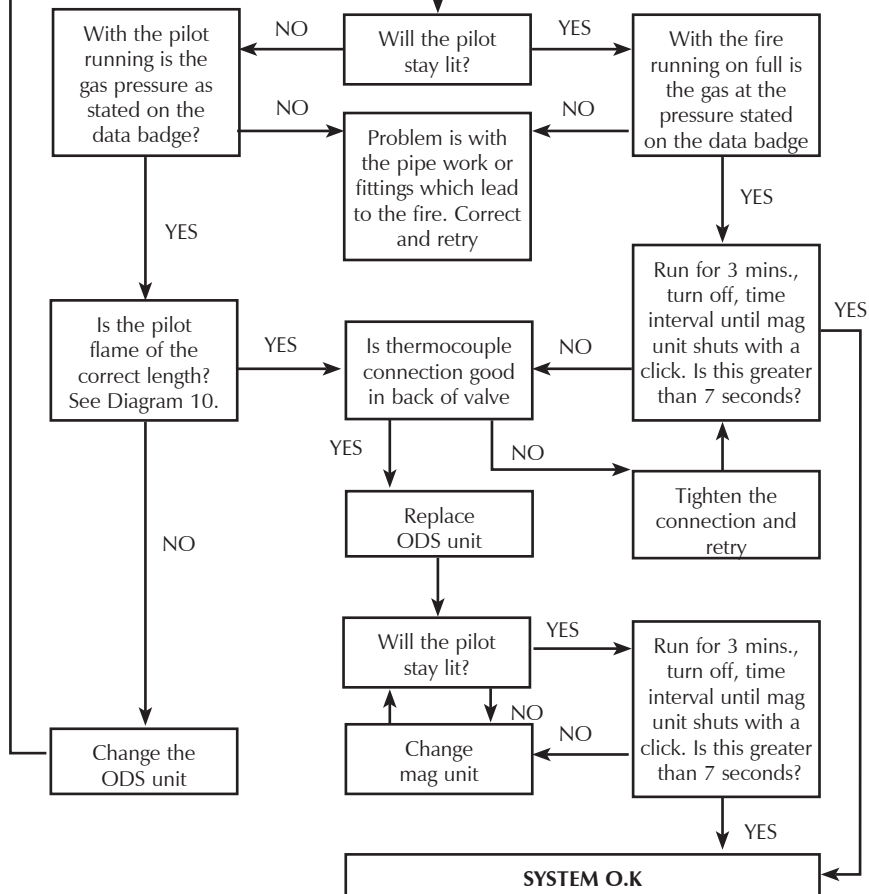
FLAME FAILURE FUNCTIONAL CHECK

PILOT WILL NOT STAY LIT OR FIRE GOES OUT

If the fire goes out in use continually, this may mean that the oxygen depletion sensor has been activated. The fire should not be used until the cause has been found and rectified.

Ensure there is no debris around the pilot assembly, e.g. coal, soot, etc. Check for fluff in the pilot aeration hole. See Diagram 10.

Light the pilot and keep the control knob pushed in at least 10 seconds before letting go

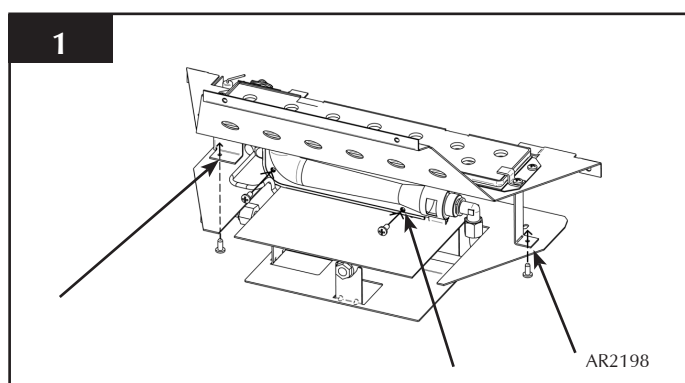


SERVICING INSTRUCTIONS

REPLACING PARTS

1. GENERAL

- 1.1 To service any of the following parts of the fire, it will be necessary to remove the burner unit from the firebox. To remove the burner refer to previous section **SERVICING**.
- 1.2 The heat shield needs to be removed from the burner for servicing. To do this remove the three screws indicated in Diagram 1 and slide the shield forward.

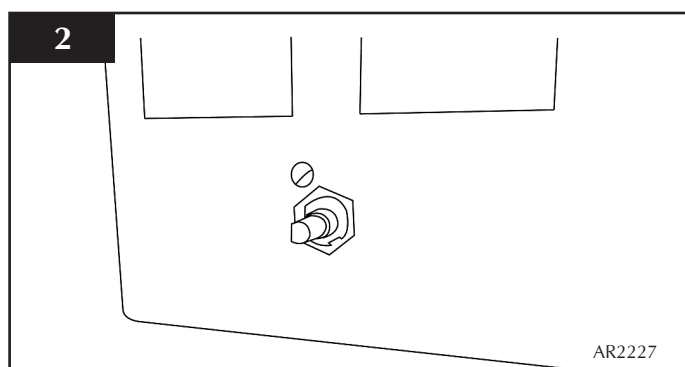


2. IGNITION LEAD AND PIEZO

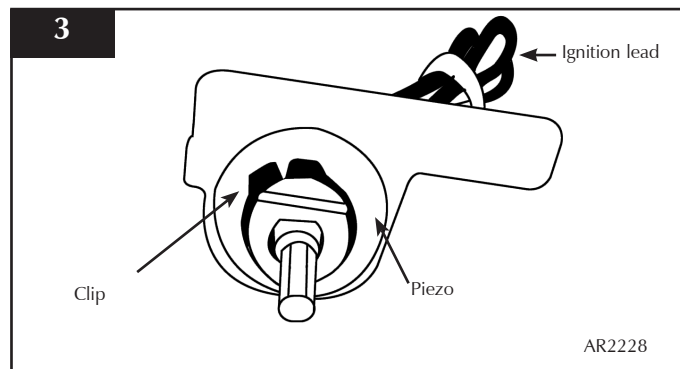
- 2.1 The Ignition lead and Piezo on this fire are part of one complete unit and must be replaced at the same time.

To replace the unit:

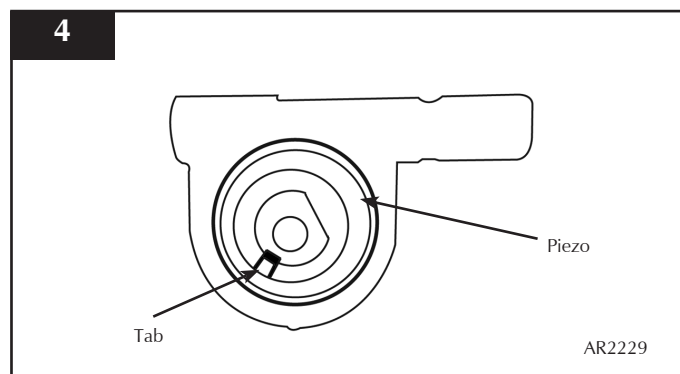
- Remove the control knob on the front of the valve cover
- Undo the nut securing the valve, Diagram 2.



- 2.2 Disconnect all other valve connections on the rear of the valve
- 2.3 The valve will now come off.
- 2.4 Remove the clip from around the front of the valve, Diagram 3



- Rotate the Piezo anti-clockwise until the tab appears in the slot at the front, Diagram 4



- Withdraw forward from the bracket
- Replace with a new ignition unit in reverse order
- Replace the valve and refit the burner
- Check the operation of the new ignition lead.
- Replace the fire frame.

3. ODS PILOT UNIT

Note: You cannot service the pilot unit due to the complex nature of its manufacture. Replacement of the complete unit must be carried out when one of the following items becomes faulty:

- Pilot injector
- Ignition electrode
- Thermocouple

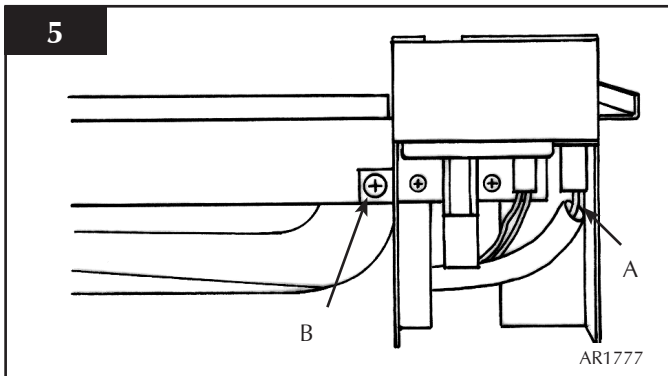
Access to the White Stone Effect pilot unit differs from the Coal Effect. Follow the relevant instruction for your fire.

SERVICING INSTRUCTIONS

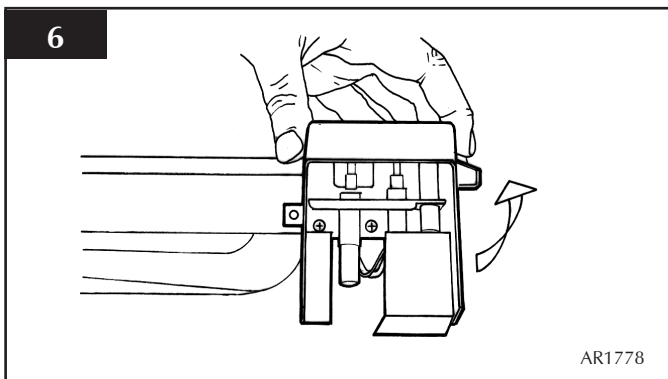
REPLACING PARTS

LOGIC HE - WHITE STONE EFFECT

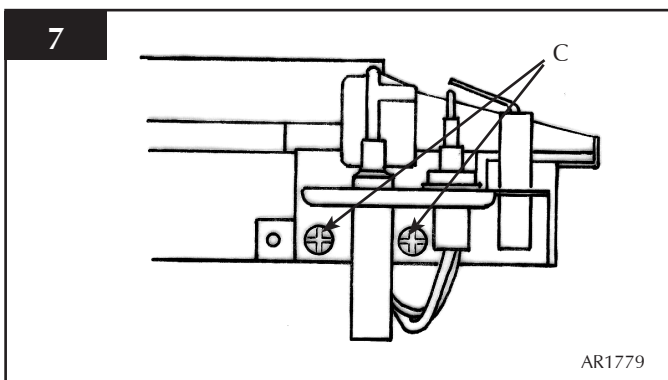
- 3.1 Gently pull the ignition lead off the electrode, Arrow A and undo the screw shown at Arrow B, Diagram 5



- Lift the shroud up and away from the pilot



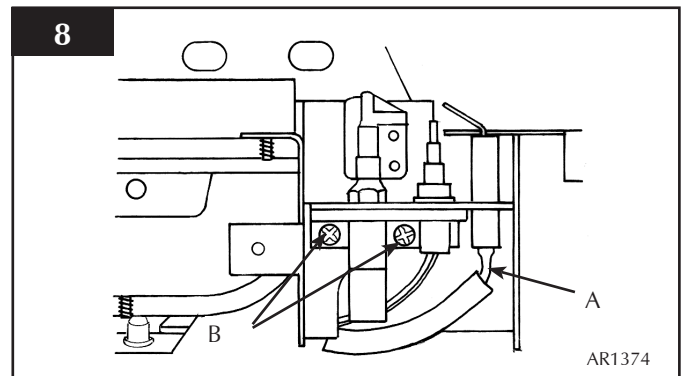
- Remove the two screws securing the pilot assembly. Diagram 7, Arrow C



LOGIC HE - COAL EFFECT

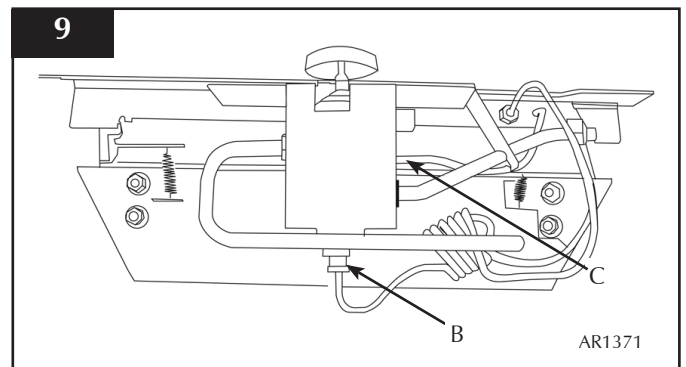
- 3.2 Gently pull the ignition lead off the electrode, Diagram 8, Arrow A

- Remove the two screws securing the pilot assembly, Diagram 8 Arrow B

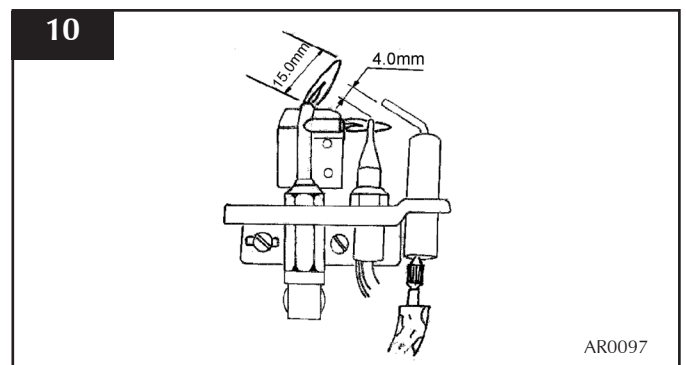


LOGIC HE - BOTH VERSIONS

- 3.3 Undo the thermocouple connection at the back of the gas valve and the pilot pipe at the pilot elbow, Diagram 9 Arrows B and C



- Replace with a new pilot assembly and check the spark gap, Diagram 10.



SERVICING INSTRUCTIONS

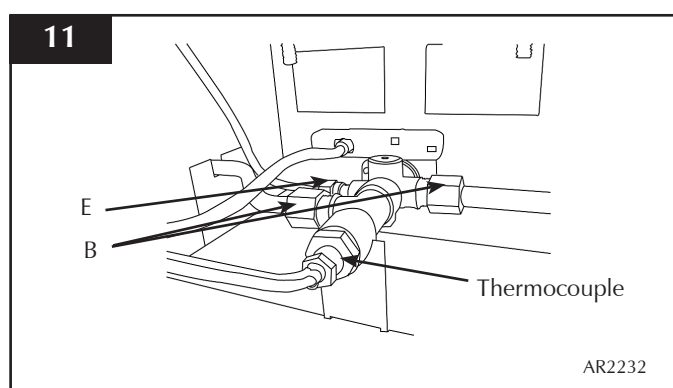
REPLACING PARTS

3.4 After reassembly:

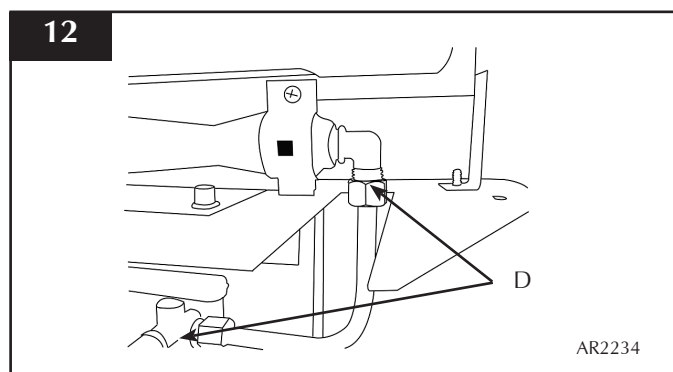
- Check for gas soundness and carry out a flame failure functional check as detailed in the Fault Finding chart, especially the mag drop out time

4. GAS VALVE

- 4.1
- Disconnect the 2 x 8mm and 1 x 4mm gas pipe fittings at the back of the gas valve and also disconnect the thermocouple, Diagram 11 arrows B and E.



- Disconnect the injector nut, Diagram 12 arrow D.

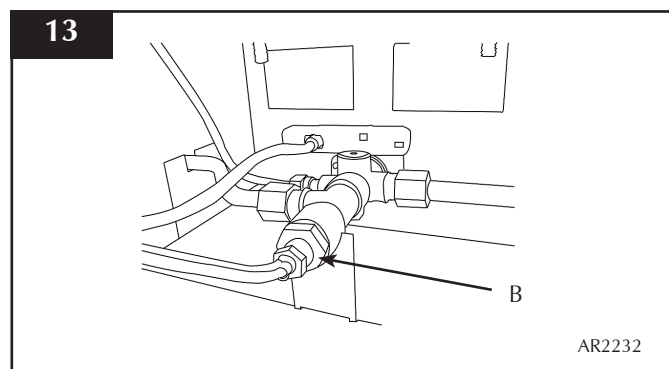


- Undo the two bolts securing the gas valve to the fire and remove the valve
- Replace in reverse order.

- 4.2
- Check all joints for gas leaks, check operation of the thermocouple and ignition lead.

5. MAG UNIT

- 5.1 Undo the thermocouple nut. Diagram 13 arrow B.

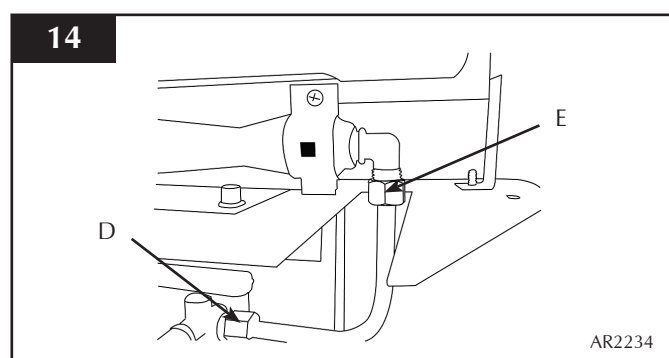


- Undo the mag unit retaining nut at the back of the control valve behind the thermocouple nut
- After removing the retaining nut, the mag unit can be tapped out and a replacement fitted:
- Replace the mag unit retaining nut and tighten. Note - this is a gas-tight seal.
- Replace the thermocouple and check for gas leaks

- 5.2
- After reassembly, carry out the flame failure functional check as detailed in the Fault Finding chart, especially the mag unit drop out time.

6. MAIN INJECTOR

- 6.1
- Undo the injector compression nut and valve nut, Diagram 14 arrows D and E, pull the pipe clear of the injector body



- Rotate the injector until it is fully removed
- Replace with the correct replacement injector. When ordering, always state the model, gas type and serial number.

- 6.2
- Reassemble and turn the gas supply on, check for any leaks.

SERVICING INSTRUCTIONS

REPLACING PARTS

7. CHANGING BETWEEN GAS TYPES

White Stone Effect

The following parts must be changed when converting an a stone effect from one gas type to another:

| | | |
|-----------------|-----|--------|
| Burner Assembly | NG | GZ8322 |
| | LPG | GZ8326 |
| Data badge | NG | PR1040 |
| | LPG | PR1054 |

Coal Effect

The following parts must be changed when converting a Coal Effect from one gas type to another:

| | | |
|---------------------|-----|--------|
| Burner Assembly | NG | GZ8373 |
| | LPG | GZ8374 |
| Data badge | NG | PR1055 |
| | LPG | PR1056 |
| Burner Cover Gasket | NG | CE0273 |
| | LPG | CE0498 |

Both White Stone & Coal Effect

Note: The control valve will be set for the particular fire and gas type. In all instances, when ordering new parts, be sure to quote the fire type and serial number.

Use only genuine Gazco replacement parts. Nonstandard components will invalidate the guarantee and may be dangerous.

8. SPARE PARTS LIST- WHITE STONE EFFECT

| GENERAL | |
|---------------------|--------|
| ENAMEL PANEL | GZ8425 |
| STONE CHIPPINGS | CE0732 |
| NATURAL GAS PARTS | |
| MAIN INJECTOR | IN0044 |
| PILOT ASSEMBLY | PI0036 |
| AERATION PLATE (NG) | GZ3270 |
| GAS VALVE | GC0156 |

| LPG PARTS | |
|----------------------|--------|
| MAIN INJECTOR | IN0065 |
| PILOT ASSEMBLY | PI0037 |
| AERATION PLATE (LPG) | GZ3867 |
| GAS VALVE | GC0158 |
| MISCELLANEOUS | |
| MAG UNIT | GC0160 |
| PIEZO UNIT | GC0159 |

9. SPARE PARTS LIST - COAL EFFECT

| CERAMIC PARTS | COAL |
|----------------------|--------|
| FRONT COAL | CE0490 |
| FLAME BAFFLE | CE0491 |
| SIDE PANEL LH | CE0482 |
| SIDE PANEL RH | CE0483 |
| REAR PANEL | CE0497 |
| TOP PANEL | CE0484 |
| COALS AND PEBBLES | CE0496 |
| NATURAL GAS PARTS | |
| MAIN INJECTOR | IN0064 |
| PILOT ASSEMBLY | PI0036 |
| AERATION PLATE (NG) | GZ3269 |
| GAS VALVE | GC0156 |
| LPG PARTS | |
| MAIN INJECTOR | IN0031 |
| PILOT ASSEMBLY | PI0037 |
| AERATION PLATE (LPG) | GZ3866 |
| GAS VALVE | GC0158 |
| MISCELLANEOUS | |
| MAG UNIT | GC0160 |
| PIEZO UNIT | GC0159 |

SERVICE RECORDS

1ST SERVICE

Date of Service:.....

Next Service Due:.....

Signed:.....

Dealer's Stamp/Gas Safe Registration Number

3RD SERVICE

Date of Service:.....

Next Service Due:.....

Signed:.....

Dealer's Stamp/Gas Safe Registration Number

5TH SERVICE

Date of Service:.....

Next Service Due:.....

Signed:.....

Dealer's Stamp/Gas Safe Registration Number

7TH SERVICE

Date of Service:.....

Next Service Due:.....

Signed:.....

Dealer's Stamp/Gas Safe Registration Number

9TH SERVICE

Date of Service:.....

Next Due:.....

Signed:.....

Dealer's Stamp/Gas Safe Registration Number

2ND SERVICE

Date of Service:.....

Next Service Due:.....

Signed:.....

Dealer's Stamp/Gas Safe Registration Number

4TH SERVICE

Date of Service:.....

Next Service Due:.....

Signed:.....

Dealer's Stamp/Gas Safe Registration Number

6TH SERVICE

Date of Service:.....

Next Service Due:.....

Signed:.....

Dealer's Stamp/Gas Safe Registration Number

8TH SERVICE

Date of Service:.....

Next Due:.....

Signed:.....

Dealer's Stamp/Gas Safe Registration Number

10TH SERVICE

Date of Service:.....

Next Service Due:.....

Signed:.....

Dealer's Stamp/Gas Safe Registration Number

Gazco Limited, Osprey Road, Sowton Industrial Estate, Exeter, Devon, England EX2 7JG
Tel: Technical Customer Services (01392) 261950 Fax: (01392) 261951
E-mail: technicalservices@gazco.com

A member of the Stovax Group